

Rosemount™ 248 Temperature Transmitter



- Basic temperature transmitter offers a reliable solution for temperature monitoring points.
- Standard transmitter design provides flexible and reliable performance in process environments.
- Experience lower over-all installation costs when compared to wiring sensor directly, reducing the need for expensive extension wires and multiplexers.
- Explore the benefits of a Complete Point Solution™ from Rosemount Temperature.

Features and benefits

- RTD, TC, potentiometer, linear resistance and bipolar mV input
- Wide ambient operating temperature of -50 to +85 °C
- 2.5 kVAC galvanic isolation

Basic temperature transmitter offers a cost effective solution for temperature monitoring points

- DIN B style head mount transmitter
- Variety of DIN B enclosure options
- Rail mount
- HART®/4–20 mA Protocol
- Single sensor capability with universal sensor inputs (RTD, T/C, mV, ohms)
- Transmitter-sensor matching with Callendar Van Dusen constants
- SIL2 Capable: IEC 61508 certified by an accredited third party agency for use in safety instrumented systems up to SIL 2



Standard transmitter design provides flexible and reliable performance in process environments

- Offers improved measurement accuracy and reliability over direct-wiring a sensor to the digital control system for a lower overall installation cost
- One-year stability rating reduces maintenance costs
- Open/short sensor diagnostics assist with detecting issues in the sensor loop
- Compensation for ambient temperatures enhances transmitter performance

Contents

Features and benefits.....	2
Ordering information.....	5
Transmitter specifications.....	13
Product certifications.....	21
Dimensional drawings.....	30
Configuration interface specifications.....	31

Explore the benefits of a complete point solution from Rosemount Temperature Measurement

- An “Assemble To Sensor” option enables Emerson to provide a complete point temperature solution, delivering an installation-ready transmitter, and sensor assembly.
- Emerson offers a selection of RTDs, thermocouples, and thermowells that bring superior durability and Rosemount reliability to temperature sensing, complementing the Rosemount Transmitter portfolio.



Experience global consistency and local support from numerous worldwide Rosemount Temperature manufacturing sites



- Experienced Instrumentation Consultants help select the right product for any temperature application and advise on best installation practices
- An extensive global network of Emerson service and support personnel can be on-site when and where they are needed
- World-class manufacturing provides globally consistent product from every factory and the capacity to fulfill the needs of any project, large or small

Access information when you need it with asset tags

Newly shipped devices include a unique QR code asset tag that enables you to access serialized information directly from the device. With this capability, you can:

- Access device drawings, diagrams, technical documentation, and troubleshooting information in your MyEmerson account
- Improve mean time to repair and maintain efficiency
- Ensure confidence that you have located the correct device
- Eliminate the time-consuming process of locating and transcribing nameplates to view asset information

Ordering information

Rosemount 248 Head Mount Temperature Transmitter



The Rosemount 248 has a standard transmitter design that provides flexible and reliable performance in process environments.

Transmitter features include:

- HART®/4–20 mA communication protocol
- DIN B style head mount and rail mount transmitter types
- Variety of DIN B enclosure options
- Sanitary connection heads available (option code F and S)
- 3-point calibration certificate (option code Q4)
- Assemble-to-sensor options (option code XA)
- Transmitter-sensor matching (option code C2)
- SIS SIL 2 Safety certification (option code QT)

CONFIGURE >	VIEW PRODUCT >
--------------------------------	-----------------------------------

Online Product Configurator

Many products are configurable online using our Product Configurator. Select the **Configure** button or visit our [website](#) to start. With this tool's built-in logic and continuous validation, you can configure your products more quickly and accurately.

Model codes

Model codes contain the details related to each product. Exact model codes will vary; an example of a typical model code is shown in [Figure 1](#).

Figure 1: Model Code Example

3144P D1 A 1 NA	M5 DA1 Q4
1	2

1. Required model components (choices available on most)
2. Additional options (variety of features and functions that may be added to products)

Specifications and options

See the Specifications and options section for more details on each configuration. Specification and selection of product materials, options, or components must be made by the purchaser of the equipment. See the Material selection section for more information.

Optimizing lead time

The starred offerings (★) represent the most common options and should be selected for best delivery. The non-starred offerings are subject to additional delivery lead time.

Required model components

Model

Code	Description	
248	Temperature transmitter	★

Transmitter type

Code	Description	
H	DIN B head mount	★

Transmitter output

Code	Description	
A	4–20 mA with digital signal based on HART® Protocol	★

Product certifications

Code	Description		
E5	USA Explosion-Proof	A, G, H, J, K, U	★
I5	USA Intrinsic Safety and Class I, Division 2	A, B, G, H, J, K, N, U	★
K5	USA Intrinsic Safety, Explosion-Proof, and Class I, Division 2	A, G, H, J, K, U	★
I6	Canada Intrinsic Safety and Class I, Division 2	A, B, G, H, J, K, N, U	★
K6	Canada Intrinsic Safety, Explosion-Proof, and Class I, Division 2	A, G, H, J, K, U	★
E1	ATEX Flameproof	A, G, H, J, K, U	★
I1	ATEX Intrinsic Safety	All Options	★
ND	ATEX Dust	A, G, H, J, K, U	★
N1	ATEX Zone 2	A, G, H, J, K, U	★
NC ⁽¹⁾	ATEX Zone 2 without enclosure	N	★
E7	IECEX Flameproof and Dust	A, G, H, J, K, U	★
I7	IECEX Intrinsic Safety	All options	★
N7	IECEX Zone 2	A, G, H, J, K, U	★
NG	IECEX Zone 2 without enclosure	N	★
KM	Technical Regulations Customs Union (EAC) Flameproof, Intrinsic Safety	A, G, H, J, K, U	★
IM	Technical Regulations Customs Union (EAC) Intrinsic Safety	All options	★
EM	Technical Regulations Customs Union (EAC) Flameproof	A, G, H, J, K, U	★
EP	Korea Explosionproof/Flameproof	A, G, H, J, K, U	★
E3	China flameproof	A, G, H, J, K, U	★

Code	Description		
I3	China intrinsic safety	A, B, G, H, J, K, N, U	★
N3	China type n	A, G, H, J, K, U	★
NA	No approval	All options	★

(1) *The Rosemount 248H with ATEX Type n Component Approval is not approved as a stand alone unit; additional system certification is required. Transmitter must be installed so it is protected to at least the requirements of IP54.*

Enclosure

Code	Description	Material	IP rating	
A	Connection head	Aluminum	IP66/68	★
B	BUZ head	Aluminum	IP65	★
C	BUZ head	Polypropylene	IP65	★
G	Connection head	SST	IP66/IP68	★
J	Universal junction box, 3 entries	Aluminum	IP66/IP68	★
K	Universal junction box, 3 entries	SST	IP66/IP68	★
H	Universal head (junction box)	SST	IP66/IP68	★
U	Universal head (junction box)	Aluminum	IP66/IP68	★
N	No enclosure	N/A	N/A	★
F	Sanitary connection head, DIN A	Polished SST	IP66/IP68	
S	Sanitary connection head, DIN B	Polished SST	IP66/IP68	

Conduit entry size

All process connection threads are ½-in. NPT, except for Enclosure Codes H and U with Conduit Entry Code 1 and Sensor Type Code NS.

Code	Description	
1	M20 × 1.5 (CM20)	★
2	½-in. NPT	★
0	No enclosure	★

Additional options

Assemble to options

Code	Description	
XA	Sensor specified separately and assembled to transmitter	★
NS	No sensor	
XC	Hand tight assembly of a transmitter and sensor	

Mounting bracket

Code	Description	
B4	Universal mounting bracket for 2-in. pipe and panel mounting - SST bracket and bolts	★
B5	Universal "L" mounting bracket for 2-in. pipe mounting - SST bracket and bolts	★

Alarm level configuration

Code	Description	
A1	NAMUR alarm and saturation levels, high alarm	★
CN	NAMUR alarm and saturation levels, low alarm	★

5-point calibration

Code	Description	
C4	5-point calibration (requires the Q4 option code to generate a calibration certificate)	★

Calibration certification

Code	Description	
Q4	Calibration certificate (3-point calibration)	★

Line filter

Code	Description	
F6	60 Hz line voltage filter	★

Sensor trim

Code	Description	
C1 ⁽¹⁾	Transmitter sensor matching - trim to specific Rosemount RTD calibration schedule (C-VD constants)	★

(1) Requires HR7 (HART Revision 7).

Quality certification for safety

Code	Description	
QT	Safety certified to IEC 61508 with certificate of FMEDA data	★

Conduit electrical connector

Available with Intrinsically Safe approvals only for USA Intrinsically Safe or Non-Incendive approval (option code I5). To maintain NEMA® 4X rating, it must be installed according to Rosemount Drawing 03151-1009.

Code	Description	
GE	M12, 4 pin, male connector (eurofast®)	★

Code	Description	
GM	A-size mini, 4 pin, male connector (minifast®)	

External label

Code	Description	
EL	External label for ATEX Intrinsic Safety	★

Cable gland

Code	Description	
G2	Cable gland (7.5 - 11.99 mm)	★
G4	Thin wire cable gland (3 -8 mm)	

Cover chain

Code	Description	
G3	Cover chain	★

Software configuration

Code	Description	
C1	Custom configuration of date, descriptor, and message (requires Configuration Data Sheet with order)	★

HART revision configuration

HART Revision 5 is the default HART output.

Code	Description	
HR5	Configured for HART Revision 5	★
HR7 ⁽¹⁾	Configured for HART Revision 7	★

(1) Configures the HART output to HART Revision 7, The device can be field configured to HART Revision 5 if needed.

Extended product warranty

Code	Description	
WR3	3-year limited warranty	★
WR5	5-year limited warranty	★

Cold temperature option

Code	Description	
BR5	-60 °F (-51 °C) cold temperature option	
BR6	-76 °F (-60 °C) cold temperature option	

Rosemount 248R Rail Mount Transmitter



The Rosemount 248 has a standard transmitter design that provides flexible and reliable performance in process environments.

Transmitter features include:

- HART®/4–20 mA communication protocol
- Rail mount transmitter type
- 3-point calibration certificate (option code Q4)
- Custom configuration of software parameters (option code C1)

CONFIGURE >
VIEW PRODUCT >

Online Product Configurator

Many products are configurable online using our Product Configurator. Select the **Configure** button or visit our [website](#) to start. With this tool's built-in logic and continuous validation, you can configure your products more quickly and accurately.

Model codes

Model codes contain the details related to each product. Exact model codes will vary; an example of a typical model code is shown in [Figure 2](#).

Figure 2: Model Code Example

3144P D1 A 1 NA **M5 DA1 Q4**
1 2

1. Required model components (choices available on most)
2. Additional options (variety of features and functions that may be added to products)

Specifications and options

See the Specifications and options section for more details on each configuration. Specification and selection of product materials, options, or components must be made by the purchaser of the equipment. See the Material selection section for more information.

Optimizing lead time

The starred offerings (★) represent the most common options and should be selected for best delivery. The non-starred offerings are subject to additional delivery lead time.

Required model components

Model

Code	Description
248	Temperature transmitter

Transmitter type

Code	Description	
R	Rail mount - single sensor input	★

Output

Code	Description	
A	4-20 mA with digital signal based on HART® protocol	

Product certifications

Code	Description	
NA	No approval	
I5	USA Intrinsically Safe; Non-incendive	
I6	Canada Intrinsically Safe	
I1	ATEX Type n Component	
NX	ATEX Type n	
I7 ⁽¹⁾	IECEx Intrinsically Safe	
N7	IECEx Type n	
I3	China Intrinsically Safe	
IM	Technical Regulation Customs Union (EAC) Intrinsically Safe	

(1) Consult factory for availability.

Additional options**Software configuration**

Code	Description	
C1	Custom configuration of date, descriptor, and message (requires CDS with order)	

Alarm level configuration

Code	Description	
A1	NAMUR alarm and saturation levels, high alarm	
CN	NAMUR alarm and saturation levels, low alarm	
C8	Low alarm (standard Rosemount alarm and saturation values)	

5-point calibration

Code	Description	
C4	5-point calibration (use option code Q4 to generate a calibration certificate)	

Calibration certificate

Code	Description	
Q4	Calibration certificate (3-point calibration)	

Line filter

Code	Description	
F6	60 Hz line voltage filter	★

Mounting style

Code	Description	
GR	G-rail mounting	★

Extended product warranty

Code	Description	
WR3	3-year limited warranty	
WR5	5-year limited warranty	

Transmitter specifications

Functional specifications

Inputs

User-selectable; sensor terminals rates to 42.4 Vdc. See [Transmitter accuracy and ambient temperature effects](#) for sensor options.

Output

Two-wire 4–20 mA, linear with temperature or input; digital output signal superimposed on 4–20 mA signal, available for a field communicator or control system interface.

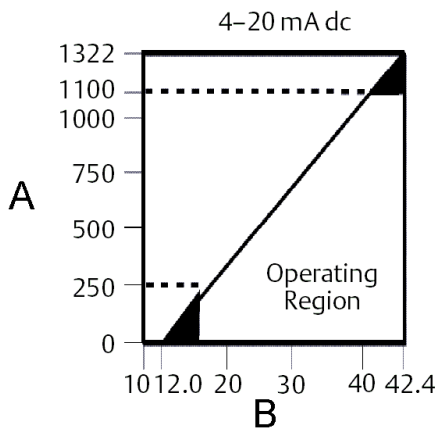
Isolation

Input/output isolation tested to 500 Vac rms (707 Vdc) at 50/60 Hz.

Power supply

An external power supply is required for HART devices. The transmitter operates on 12.0 to 42.4 Vdc transmitter terminal voltage with load resistance between 250 and 1100 ohms. A minimum of 17.75 Vdc power supply is required with a load of 250 ohms. Transmitter power terminals are rated to 42.4 Vdc.

Figure 3: Maximum Load = 40.8 (Supply Voltage – 12.0)



- A. Load (ohms)
- B. Supply voltage (Vdc)

Humidity limits

0–95 percent relative humidity, non-condensing

NAMUR recommendations

The Rosemount 248 meets the following NAMUR recommendations:

- NE 21 – Electromagnetic compatibility (EMC) for Process and Laboratory Apparatus
- NE 43 – Standard of the signal level breakdown information of digital transmitters
- NE 53 – Revision controlled labeling for software and hardware changes
- NE 89 – Standard of temperature transmitters with digital signal processing
- NE 107 – Self-Monitoring and Diagnosis of Field Devices

Temperature limits

Operating limit

- -40 to 185 °F (-40 to 85 °C)
- -60 to 185 °F (-50 to 85 °C) available with BR5
- -76 to 185 °F (-60 to 85 °C) available with BR6

Storage limit

- -58 to 248 °F (-50 to 120 °C)

Turn-on time

Performance within specifications in less than five seconds after power is applied to transmitter, when damping value is set to zero seconds.

Update rate

Less than 0.5 seconds

Damping

32 seconds maximum; five seconds default

Custom alarm and saturation levels

Custom factory configuration of alarm and saturation levels is available with option code C1 for valid values. These values can also be configured in the field using a field communicator.

Recommended minimum measuring span

See [Transmitter accuracy and ambient temperature effects](#).

Software detected failure mode

The values at which the transmitter drives its output in failure mode depends on whether it is configured to standard, custom, or NAMUR-compliant (NAMUR recommendation NE 43) operation. The values for standard and NAMUR-compliant operation are as follows:

Table 1: Operation Parameters

	Standard (mA)	NAMUR NE43- compliant (mA)
Linear output	$3.9 \leq I \leq 20.5$	$3.8 \leq I \leq 20.5$
Fail high	$21 \leq I \leq 23$ (default)	$21 \leq I \leq 23$ (default)
Fail low	$I \leq 3.75$	$I \leq 3.6$

Certain hardware failures, such as microprocessor failures, will always drive the output to greater than 23 mA.

Physical specifications

Material selection

Emerson provides a variety of Rosemount product with various product options and configurations including materials of construction that can be expected to perform well in a wide range of applications. The Rosemount product information presented is intended as a guide for the purchaser to make an appropriate selection for the application. It is the purchaser's sole responsibility to make a careful analysis of all process parameters (such as all chemical components, temperature, pressure, flow rate, abrasives, contaminants, etc.), when specifying product, materials, options, and components for the particular application. Emerson is not in a position to evaluate or guarantee the compatibility of the process fluid or other process parameters with the product, options, configuration, or materials of construction selected.

Conformance to specification ($\pm 3\sigma$ [Sigma])

Technology leadership, advanced manufacturing techniques, and statistical process control ensure specification conformance to at least $\pm 3\sigma$.

Field communicator connections

Communication terminal: clips permanently fixed to the terminals

Materials of construction

Electronics housing

Polyphenylene ether and polystyrene blend. Glass reinforced.

Universal (option code G, H, J, and K) and Rosemount connection (option code A and G) heads

- Housing: Low-copper aluminum (option codes A, J, and U)
- Stainless steel (option codes G, H, and K)
- Paint: Polyurethane
- Cover O-Ring: Buna-N

BUZ head (option code B)

- Housing: Aluminum
- Paint: Aluminum lacquer

- O-ring seal: Rubber

Mounting

The Rosemount 248R attaches directly to a wall or a DIN rail. The Rosemount 248H installs in a connection head or universal head mounted directly on a sensor assembly or apart from a sensor assembly using a universal head. The Rosemount 248H can also mount to a DIN rail using an optional mounting clip (see [Options](#)).

Weight

Code	Options	Weight
248H	Headmount transmitter	50 g (1.7 oz)
248R	Railmount transmitter	250 g (8.8 oz)
U	Universal head	567 g (20.0 oz)
J	Universal junction box, 3 entries aluminum	718 g (25.3 oz)
K	Universal junction box, 3 entries, SST	2073 g (73.1 oz)
B	BUZ head	277 g (9.8 oz)
C	Polypropylene head	89 g (3.1 oz.)
A	Rosemount connection head	526 g (18.5 oz)
S	Polished stainless steel (SST) head	740 g (26.1 oz)
G	Rosemount connection head (SST)	1613 g (56.9 oz)
H	Universal head (SST)	1673 g (59.0 oz)

Enclosure ratings

The universal (option code U) and Rosemount connection (option code A) heads are NEMA 4X, IP66, and IP68. The universal head with ½ NPT threads is CSA Enclosure Type 4X. The BUZ head (option code B) is NEMA 4 and IP65.

Performance specifications

Electromagnetic compatibility (EMC)

Meets all industrial environment requirements of EN61326 and NAMUR NE-21. Maximum deviation < 1% span during EMC disturbance.

Power supply effect

Less than ±0.005 percent of span per volt

Vibration effect

Tested to the following with no effect on performance per IEC 60770-1, 2010:

Frequency	Vibration
10 to 60 Hz	0.35 mm displacement
60 to 2000 Hz	5 g peak acceleration

Stability

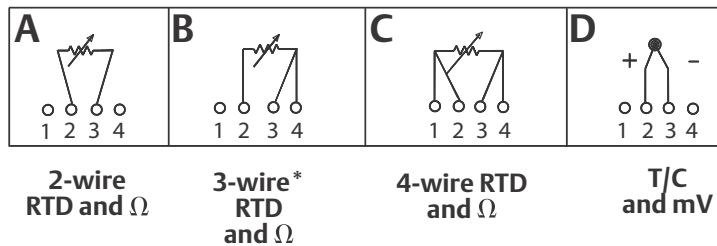
For RTD and thermocouple inputs the transmitter will have a stability of ± 0.1 percent of reading or $0.1\text{ }^{\circ}\text{C}$ (whichever is greater) for 12 months.

Self calibration

The analog-to-digital measurement circuitry automatically self-calibrates for each temperature update by comparing the dynamic measurement to extremely stable and accurate internal reference elements.

Sensor connections

Figure 4: Rosemount 248 Sensor Connections



- A. 2-wire RTD and Ω
- B. 3-wire RTD and Ω

Note

Rosemount provides four-wire sensors for all single element RTDs. These RTDs can be used in three-wire configurations by leaving the unneeded leads disconnected and insulated with electrical tape.

- C. 4-wire RTD and Ω
- D. T/C and mV

Transmitter accuracy and ambient temperature effects

Note

The accuracy and ambient temperature effect is the greater of the fixed and percent of span values (see example).

Table 2: Rosemount 248 Transmitter Accuracy

Sensor options	Sensor reference	Input ranges		Recommended min. span ⁽¹⁾		Accuracy ⁽²⁾		
						Fixed		% of span
		$^{\circ}\text{C}$	$^{\circ}\text{F}$	$^{\circ}\text{C}$	$^{\circ}\text{F}$	$^{\circ}\text{C}$	$^{\circ}\text{F}$	
2-, 3-, 4-wire RTDs								
Pt 100 ($\alpha = 0.00385$)	IEC 751	-200 to 850	-328 to 1562	10	18	± 0.20	± 0.36	$\pm 0.10\%$
Pt 200 ($\alpha = 0.00385$)	IEC 751	-200 to 850	-328 to 1562	10	18	± 0.44	± 0.79	$\pm 0.10\%$
Pt 500 ($\alpha = 0.00385$)	IEC 751	-200 to 850	-328 to 1562	10	18	± 0.28	± 0.50	$\pm 0.10\%$
Pt 1000 ($\alpha = 0.00385$)	IEC 751	-200 to 300	-328 to 572	10	18	± 0.23	± 0.41	$\pm 0.10\%$
Pt 100 ($\alpha = 0.003916$)	JIS 1604	-200 to 645	-328 to 1193	10	18	± 0.20	± 0.36	$\pm 0.10\%$
Pt 200 ($\alpha = 0.003916$) ⁽³⁾	JIS 1604	-200 to 645	-328 to 1193	10	18	± 0.44	± 0.79	$\pm 0.10\%$
Ni 120	Edison Curve No. 7	-70 to 300	-94 to 572	10	18	± 0.16	± 0.29	$\pm 0.10\%$
Cu 10	Edison Copper Winding No. 15	-50 to 250	-58 to 482	10	18	± 2.00	± 3.60	$\pm 0.10\%$

Table 2: Rosemount 248 Transmitter Accuracy (continued)

Sensor options	Sensor reference	Input ranges		Recommended min. span ⁽¹⁾		Accuracy ⁽²⁾		
						Fixed		% of span
2-, 3-, 4-wire RTDs		°C	°F	°C	°F	°C	°F	
Pt 50 ($\alpha = 0.00391$)	GOST 6651-94	-200 to 550	-328 to 1022	10	18	± 0.40	± 0.72	±0.10%
Pt 100 ($\alpha = 0.00391$)	GOST 6651-94	-200 to 550	-328 to 1022	10	18	± 0.20	± 0.36	±0.10%
Cu 50 ($\alpha = 0.00426$)	GOST 6651-94	-50 to 200	-58 to 392	10	18	± 0.68	± 1.22	±0.10%
Cu 50 ($\alpha = 0.00428$)	GOST 6651-94	-185 to 200	-301 to 392	10	18	± 0.68	± 1.22	±0.10%
Cu 100 ($\alpha = 0.00426$)	GOST 6651-94	-50 to 200	-58 to 392	10	18	± 0.34	± 0.61	±0.10%
Cu 100 ($\alpha = 0.00428$)	GOST 6651-94	-185 to 200	-301 to 392	10	18	± 0.34	± 0.61	±0.10% of span
Thermocouples⁽⁴⁾								
Type B ⁽⁵⁾	NIST Monograph 175	100 to 1820	212 to 3308	25	45	± 1.50	± 2.70	±0.10%
Type E	NIST Monograph 175	-200 to 1000	-328 to 1832	25	45	± 0.40	± 0.72	±0.10%
Type J	NIST Monograph 175	-180 to 760	-292 to 1400	25	45	± 0.50	± 0.90	±0.10%
Type K ⁽⁶⁾	NIST Monograph 175	-180 to 1372	-292 to 2501	25	45	± 0.50	± 0.90	±0.10%
Type N	NIST Monograph 175	-200 to 1300	-328 to 2372	25	45	± 0.80	± 1.44	±0.10%
Type R	NIST Monograph 175	0 to 1768	32 to 3214	25	45	± 1.20	± 2.16	±0.10%
Type S	NIST Monograph 175	0 to 1768	32 to 3214	25	45	± 1.00	± 1.80	±0.10%
Type T	NIST Monograph 175	-200 to 400	-328 to 752	25	45	± 0.50	± 0.90	±0.10%
Type L	DIN 43710	-200 to 900	-328 to 1652	25	45	± 0.70	± 1.26	±0.10%
Type U	DIN 43710	-200 to 600	-328 to 1112	25	45	± 0.70	± 1.26	±0.10%
Type C	W5Re/W26Re ASTM E988-96	0 to 2000	32 to 3632	25	45	± 1.40	± 2.52	±0.10%
Type L	GOST R 8.585-2001	-200 to 800	-328 to 1472	25	45	± 0.50	± 0.90	±0.10%
Other input types								
Millivolt input		-10 to 100 mV		3mV		± 0.03 mV		±0.10%
2-, 3-, 4-wire ohm input		0 to 2000 ohms		20 ohms		± 0.70 ohm		±0.10%

- (1) No minimum or maximum span restrictions within the input ranges. Recommended minimum span will hold noise within accuracy specification with damping at zero seconds.
- (2) The published digital accuracy applies over the entire sensor input range. Digital output can be accessed by HART Communications or Rosemount control system.
- (3) Pt 200 ($\alpha = 0.003916$) is supported only in HART 7 mode and cannot be configured or used in HART 5 mode.
- (4) Total digital accuracy for thermocouple measurement: sum of digital accuracy +0.5 °C (cold junction accuracy).
- (5) Digital accuracy for NIST Type B T/C is ± 3.0 °C (± 5.4 °F) from 100 to 300 °C (212 to 572 °F).
- (6) Digital accuracy for NIST Type K T/C is ± 0.70 °C (± 1.26 °F) from -180 to -90 °C (-292 to -130 °F).

Transmitter accuracy example

When using a Pt 100 ($\alpha = 0.00385$) sensor input with a 0 to 100 °C span, use the greater of the two calculated values. In this case, the accuracy would be ± 0.2 °C.

Table 3: Ambient Temperature Effect

Sensor options	Sensor reference	Input ranges		Temperature effects per 1.0 °C (1.8 °F) change in ambient temperature ^{(1) (2) (3)}		
				Fixed		% of span
2-, 3-, 4-wire RTDs		°C	°F	°C	°F	
Pt 100 ($\alpha = 0.00385$)	IEC 751	-200 to 850	-328 to 1562	0.006	0.011	0.004%
Pt 200 ($\alpha = 0.00385$)	IEC 751	-200 to 850	-328 to 1562	0.018	0.032	0.004%
Pt 500 ($\alpha = 0.00385$)	IEC 751	-200 to 850	-328 to 1562	0.018	0.032	0.004%
Pt 1000 ($\alpha = 0.00385$)	IEC 751	-200 to 300	-328 to 572	0.010	0.018	0.004%
Pt 100 ($\alpha = 0.003916$)	JIS 1604	-200 to 645	-328 to 1193	0.006	0.011	0.004%
Pt 200 ($\alpha = 0.003916$)	JIS 1604	-200 to 645	-328 to 1193	0.018	0.032	0.004%
Ni 120	Edison Curve No. 7	-70 to 300	-94 to 572	0.004	0.007	0.004%
Cu 10	Edison Copper Winding No. 15	-50 to 250	-58 to 482	0.060	0.108	0.004%
Pt 50 ($\alpha = 0.00391$)	GOST 6651-94	-200 to 550	-328 to 1022	0.012	0.022	0.004%
Pt 100 ($\alpha = 0.00391$)	GOST 6651-94	-200 to 550	-328 to 1022	0.006	0.011	0.004%
Cu 50 ($\alpha = 0.00426$)	GOST 6651-94	-50 to 200	-58 to 392	0.012	0.022	0.004%
Cu 50 ($\alpha = 0.00428$)	GOST 6651-94	-185 to 200	-301 to 392	0.012	0.022	0.004%
Cu 100 ($\alpha = 0.00426$)	GOST 6651-94	-50 to 200	-58 to 392	0.006	0.011	0.004%
Cu 100 ($\alpha = 0.00428$)	GOST 6651-94	-185 to 200	-301 to 392	0.006	0.011	0.004%
Thermocouples						
Type B	NIST Monograph 175	100 to 1820	212 to 3308	0.056	0.101	0.004%

Table 3: Ambient Temperature Effect (continued)

Sensor options	Sensor reference	Input ranges		Temperature effects per 1.0 °C (1.8 °F) change in ambient temperature ^{(1) (2) (3)}		
				Fixed		% of span
2-, 3-, 4-wire RTDs		°C	°F	°C	°F	
Type E	NIST Monograph 175	-200 to 1000	-328 to 1832	0.016	0.029	0.004%
Type J	NIST Monograph 175	-180 to 760	-292 to 1400	0.016	0.029	0.004%
Type K	NIST Monograph 175	-180 to 1372	-292 to 2501	0.020	0.036	0.004%
Type N	NIST Monograph 175	-200 to 1300	-328 to 2372	0.020	0.036	0.004%
Type R	NIST Monograph 175	0 to 1768	32 to 3214	0.060	0.108	0.004% of span
Type S	NIST Monograph 175	0 to 1768	32 to 3214	0.060	0.108	0.004%
Type T	NIST Monograph 175	-200 to 400	-328 to 752	0.020	0.036	0.004%
Type L	DIN 43710	-200 to 900	-328 to 1652	0.022	0.040	0.004%
Type U	DIN 43710	-200 to 600	-328 to 1112	0.026	0.047	0.004%
Type C	W5Re/W26Re ASTM E988-96	0 to 2000	32 to 3632	0.064	0.115	0.004%
Type L	GOST R 8.585-2001	-200 to 800	-328 to 1472	0.026	0.047	0.004%
Other input types						
Millivolt Input		-10 to 100 mV		0.001mV		0.004%
2-, 3-, 4-wire Ohm Input		0 to 2000 ohms		0.028 ohms		0.004%

(1) Change in ambient is with reference to the calibration temperature of the transmitter 68 °F (20 °C) from factory.

(2) Ambient temperature effect specification valid over minimum temperature span of 50 °F (28 °C).

(3) Temperature effects (change / °C) are not intended to limit the change in errors in any one degree, but rather to serve in defining a "butterfly" error band over the full ambient temperature range and includes the errors defined by "Accuracy" at the narrowest point (room temperature).

Temperature effects example

Transmitters can be installed in locations where the ambient temperature is between –40 and 185 °F (–40 and 85 °C). In order to maintain excellent accuracy performance, each transmitter is individually characterized over this ambient temperature range at the factory.

When using a Pt 100 ($a = 0.00385$) sensor input with a 0–100 °C span at 30 °C ambient temperature:

- Temperature Effects: $0.006\text{ °C} \times (30 - 20) = 0.06\text{ °C}$

Total transmitter error

- Worst case error: Transmitter error + temperature effects error = $0.20\text{ °C} + 0.06\text{ °C} = 0.26\text{ °C}$
- Total probable error: $\sqrt{0.20^2 + 0.060^2} = 0.21\text{ °C}$

Note

For additional information regarding total probable error (TPE), refer to the TPE White Paper.

Product certifications

Rev: 1.7

European Directive information

A copy of the EU Declaration of Conformity can be found at the end of the Quick Start Guide. The most recent revision of the EU Declaration of Conformity can be found at Emerson.com/Rosemount.

Ordinary location certification

As standard, the device has been examined and tested to determine that the design meets the basic electrical, mechanical, and fire protection requirements by a nationally recognized test laboratory (NRTL) as accredited by the Federal Occupational Safety and Health Administration (OSHA).

North America

The US National Electrical Code® (NEC) and the Canadian Electrical Code (CEC) permit the use of Division marked equipment in Zones and Zone marked equipment in Divisions. The markings must be suitable for the area classification, gas, and temperature class. This information is clearly defined in the respective codes.

USA

E5 USA Explosionproof and Dust-Ignitionproof

Certificate 1091070

Standards FM Class 3600-2011, FM Class 3611-2004, FM Class 3615-2006, FM 3616-2011, UL Std. No. 60079-0: Ed.6, UL Std. No. 50E

Markings CL I/II/III, DIV 1, GP, B, C, D, E, F, G; when installed per Rosemount drawing 00644-1059; Type 4X; IP66/68

15 USA Intrinsic Safety and Nonincendive

Certificate 1091070

Standards FM Class 3600-2011, FM Class 3610-2010, FM Class 3611-2004, UL Std. No. 60079-0: Ed.6, UL Std. No. 60079-11: Ed. 6, UL Std. No. 50E

Markings CL I/II/III, DIV 1, GP A, B, C, D, E, F, G; NI CL1, DIV 2, GP A, B, C, D when installed per Rosemount drawing 00248-1056; Type 4X; IP66/68

Canada

16 Canada Intrinsically Safe

Certificate 1091070

Standards CAN/CSA C22.2 No. 0-10, CSA Std. C22.2 No. 25-1966, CAN/CSA C22.2 No. 94-M91, CAN/CSA C22.2 No. 157-92, CSA C22.2 No. 213-M1987, CAN/CSA C22.2 No. 60079-11:14, C22.2 No 60529-05

Markings IS CL I, DIV 1 GP A, B, C, D when installed per Rosemount drawing 00248-1056; CL I DIV 2 GP A, B, C, D; Type 4X, IP66/68

K6 Canada Intrinsically Safe, Explosionproof, and Division 2

Certificate 1091070

Standards CAN/CSA C22.2 No. 0-10, CSA Std. C22.2 No. 25-1966, CSA Std. C22.2 No. 30-M1986, CAN/CSA C22.2 No. 94-M91, CSA Std. C22.2 No.142-M1987, CAN/CSA C22.2 No. 157-92, CSA C22.2 No. 213-M1987, CAN/CSA C22.2 No. 60079-11:14, C22.2 No 60529-05


Markings XP CL I/II/III, DIV 1, GP B, C, D, E, F, G when installed per Rosemount drawing 00644-1059; IS CL I, DIV 1 GP A, B, C, D when installed per Rosemount drawing 00248-1056; CL I DIV 2 GP A, B, C, D; Type 4X, IP66/68; Conduit Seal not required

Europe

E1 ATEX Flameproof

Certificate FM12ATEX0065X

Standards EN 60079-0: 2012+A11:2013, EN 60079-1: 2014, EN 60529:1991 +A1:2000 + A2:2013


Markings  II 2 G Ex db IIC T6...T1 Gb, T6(-50 °C ≤ T_a ≤ +40 °C), T5...T1(-50 °C ≤ T_a ≤ +60 °C)
See [Table 5](#) for process temperatures.

Specific Conditions of Safe Use (X):

1. See certificate for ambient temperature range.
2. The non-metallic label may store an electrostatic charge and become a source of ignition in Group III environments.
3. Guard the LCD display cover against impact energies greater than four joules.
4. Flameproof joints are not intended for repair.
5. A suitable certified Ex d or Ex tb enclosure is required to be connected to temperature probes with Enclosure option "N".

6. Care shall be taken by the end user to ensure that the external surface temperature on the equipment and the neck of DIN Style Sensor probe does not exceed 266 °F (130 °C).
7. Non-standard paint options may cause risk of electrostatic discharge. Avoid installations that cause electrostatic build-up on painted surfaces and only clean the painted surfaces with a damp cloth. If paint is ordered through a special option code, contact the manufacturer for more information.


I1 ATEX Intrinsic Safety

Certificate	Baseefa18ATEX0090X
Standards	EN IEC 60079-0: 2018, EN 60079-11: 2012
Markings	 II 1 G Ex ia IIC T5/T6 Ga, T5(-60 °C ≤ T _a ≤ +80 °C), T6(-60 °C ≤ T _a ≤ +60 °C) See Table 6 for entity parameters.


Special Condition for Safe Use (X):

The equipment, if supplied without an enclosure, must be installed in an enclosure which affords it a degree of protection of at least IP20. Non-metallic enclosures must have a surface resistance of less than 1G Ω; light alloy or zirconium enclosures must be protected from impact and friction if located in a Zone 0 environment.

N1 ATEX Zone 2 - with enclosure

Certificate	Baseefa18ATEX0091X
Standards	EN IEC 60079-0:2018, EN 60079-15:2010
Markings	 II 3 G Ex nA IIC T5/T6 Gc, T5(-60 °C ≤ T _a ≤ +80 °C), T6(-60 °C ≤ T _a ≤ +60 °C)


NC ATEX Zone 2 - without enclosure

Certificate	Baseefa18ATEX0091X
Standards	EN IEC 60079-0:2018, EN 60079-15:2010
Markings	 II 3 G Ex nA IIC T5/T6 Gc, T5(-60 °C ≤ T _a ≤ +80 °C), T6(-60 °C ≤ T _a ≤ +60 °C)

Special Condition for Safe Use (X):

The equipment, if supplied without an enclosure, must be installed in a suitably certified enclosure such that it is afforded a degree of protection of at least IP54 in accordance with IEC 60529 and EN 60079-15 and be located in an area of pollution degree 2 or better as defined in IEC 60664-1.

ND ATEX Dust

Certificates	FM12ATEX0065X
Standards	EN 60079-0: 2012+A11:2013, EN 60079-31:2014, EN 60529:1991 +A1:2000 +A2:2013
Markings	 II 2 D Ex tb IIIC T130 °C Db, (-40 °C ≤ T _a ≤ +70 °C); IP66 See Table 5 for process temperatures.

Specific Conditions of Safe Use (X):

1. See certificate for ambient temperature range.
2. The non-metallic label may store an electrostatic charge and become a source of ignition in Group III environments.
3. Guard the LCD display cover against impact energies greater than four joules.

4. Flameproof joints are not intended for repair.
5. A suitable certified Ex d or Ex tb enclosure is required to be connected to temperature probes with Enclosure option "N".
6. Care shall be taken by the end user to ensure that the external surface temperature on the equipment and the neck of DIN Style Sensor probe does not exceed 266 °F (130 °C).
7. Non-standard paint options may cause risk of electrostatic discharge. Avoid installations that cause electrostatic build-up on painted surfaces and only clean the painted surfaces with a damp cloth. If paint is ordered through a special option code, contact the manufacturer for more information.

International

E7 IECEx Flameproof and Dust

Certificate IECEx FMG 12.0022X

Standards IEC 60079-0:2011, IEC 60079-1:2014-06, IEC 60079-31:2013

Markings Ex db IIC T6...T1 Gb, T6(-50 °C ≤ T_a ≤ +40 °C), T5...T1(-50 °C ≤ T_a ≤ +60 °C); Ex tb IIIC T130 °C Db T_a = -40 °C to +70 °C; IP66
See [Table 5](#) for process temperatures.

Specific Conditions of Safe Use (X):

1. See certificate for ambient temperature range.
2. The non-metallic label may store an electrostatic charge and become a source of ignition in Group III environments.
3. Guard the LCD display cover against impact energies greater than four joules.
4. Flameproof joints are not intended for repair.
5. A suitable certified Ex d or Ex tb enclosure is required to be connected to temperature probes with Enclosure option "N".
6. Care shall be taken by the end user to ensure that the external surface temperature on the equipment and the neck of DIN Style Sensor probe does not exceed 266 °F (130 °C).
7. Non-standard paint options may cause risk of electrostatic discharge. Avoid installations that cause electrostatic build-up on painted surfaces and only clean the painted surfaces with a damp cloth. If paint is ordered through a special option code, contact the manufacturer for more information.

I7 IECEx Intrinsic Safety

Certificate IECEx BAS 18.0062X

Standards IEC 60079-0:2017, IEC 60079-11:2011

Markings Ex ia IIC T5/T6 Ga, T5(-60 °C ≤ T_a ≤ +80 °C), T6(-60 °C ≤ T_a ≤ +60 °C);
See [Table 6](#) for entity parameters.

Special Condition for Safe Use (X):

The equipment, if supplied without an enclosure, must be installed in an enclosure which affords it a degree of protection of at least IP20. Non-metallic enclosures must have a surface resistance of less than 1G Ω; light alloy or zirconium enclosures must be protected from impact and friction if located in a Zone 0 environment.

N7 IECEx Zone 2 - with enclosure

Certificate IECEx BAS 18.0063X

Standards IEC 60079-0:2017, IEC 60079-15:2010

Markings Ex nA IIC T5/T6 Gc; T5(-60 °C ≤ T_a ≤ +80 °C), T6(-60 °C ≤ T_a ≤ +60 °C)

NG IECEx Zone 2 - without enclosure

Certificate IECEx BAS 18.0063X

Standards IEC 60079-0:2017, IEC 60079-15:2010

Markings Ex nA IIC T5/T6 Gc; T5(-60 °C ≤ T_a ≤ +80 °C), T6(-60 °C ≤ T_a ≤ +60 °C)

Special Condition for Safe Use (X):

The equipment, if supplied without an enclosure, must be installed in a suitably certified enclosure such that it is afforded a degree of protection of at least IP54 in accordance with IEC 60529 and IEC 60079-15 and be located in an area of pollution degree 2 or better as defined in IEC 60664-1.

Brazil

E2 Flameproof and Dust-Ignitionproof

Certificate UL-BR 13.0535X

Standards ABNT NBR IEC 60079-0:2013, ABNT NBR IEC 60079-1:2016, ABNT NBR IEC 60079-31:2014

Markings Ex db IIC T6...T1 Gb; T6...T1(-50 °C ≤ T_a ≤ +40 °C), T5...T1(-50 °C ≤ T_a ≤ +60 °C) Ex tb IIIC T130 °C Db; IP66; (-40 °C ≤ T_a ≤ +70 °C)

Specific Conditions for Safe Use (X):

1. See certificate for ambient temperature range.
2. The non-metallic label may store an electrostatic charge and become a source of ignition in Group III environments.
3. Guard the LCD display cover against impact energies greater than four joules.
4. Flameproof joints are not intended for repair.
5. A suitable certified Ex d or Ex tb enclosure is required to be connected to temperature probes with Enclosure option "N".
6. Care shall be taken by the end user to ensure that the external surface temperature on the equipment and the neck of DIN Style Sensor probe does not exceed 266 °F (130 °C).
7. Non-standard paint options may cause risk of electrostatic discharge. Avoid installations that cause electrostatic build-up on painted surfaces and only clean the painted surfaces with a damp cloth. If paint is ordered through a special option code, contact the manufacturer for more information.

I2 Intrinsic Safety

Certificate UL-BR 19.0202X

Standards ABNT NBR IEC 60079-0:2013, ABNT NBR IEC 60079-11:2013

Markings Ex ia IIC T5 Ga (-60 °C ≤ T_a ≤ +80 °C)

Ex ia IIC T6 Ga (-60 °C ≤ T_a ≤ +60 °C)

See [Table 6](#) at the end of the product certifications section for entity parameters.

Special Condition for Safe Use (X):

The equipment, if supplied without an enclosure, must be installed in an enclosure which affords it a degree of protection of at least IP20. Non-metallic enclosures must have a surface resistance of less than $1\text{G}\ \Omega$; light alloy or zirconium enclosures must be protected from impact and friction when installed if located in a Zone 0 environment (areas that required EPL Ga).

N2 Brazil Zone2

Certificate	UL-BR 19.0203X
Standards	ABNT NBR IEC 60079-0:2013, ABNT NBR IEC 60079-15:2012
Markings	Ex nA IIC T5 Gc ($-60\text{ }^{\circ}\text{C} \leq T_a \leq +80\text{ }^{\circ}\text{C}$) Ex nA IIC T6 Gc ($-60\text{ }^{\circ}\text{C} \leq T_a \leq +60\text{ }^{\circ}\text{C}$)

Special Condition for Safe Use (X):

The equipment, if supplied without an enclosure, must be installed in a suitably certified enclosure such that it is afforded a degree of protection of at least IP54 in accordance with ABNT NBR IEC 60529 and ABNT NBR IEC 60079-15 and be located in an area of pollution degree 2 or better as defined in IEC 60664-1.

China**E3 NEPSI Flameproof**

Certificate	GYJ16.1335X
Standards	GB3836.1-2010, GB3836.2-2010
Markings	Ex d IIC T6~T1 Gb: T6...T1 ($-50\text{ }^{\circ}\text{C} \leq T_a \leq +40\text{ }^{\circ}\text{C}$) T5...T1 ($-50\text{ }^{\circ}\text{C} \leq T_a \leq +60\text{ }^{\circ}\text{C}$)

- 产品安全使用特殊条件
证书编号后缀“X”表明产品具有安全使用特殊条件：涉及隔爆接合面的维修须联系产品制造商
- 产品使用注意事项
 1. **Table 4:** 产品使用环境温度与温度组别的关系为

温度组别	环境温度
T6~T1	$-50\text{ }^{\circ}\text{C} \leq T_a \leq +40\text{ }^{\circ}\text{C}$
T5~T1	$-50\text{ }^{\circ}\text{C} \leq T_a \leq +60\text{ }^{\circ}\text{C}$

2. 产品外壳设有接地端子，用户在使用时应可靠接地
3. 安装现场应不存在对产品外壳有腐蚀作用的有害气体
4. 现场安装时，电缆引入口须选用国家指定的防爆检验机构按检验认可、具有 Ex dIIC 防爆等级的电缆引入装置或堵封件，冗余电缆引入口须用堵封件有效密封
5. 现场安装、使用和维护必须严格遵守“断电后开盖！”的警告语
用户不得自行更换该产品的零部件，应会同产品制造商共同解决运行中出现的故障，以杜绝损坏现象的发生
产品的安装、使用和维护应同时遵守产品使用说明书、GB3836.13-2013“爆炸性环境 第 13 部分：设备的修理、检修、修复和改造”、GB3836.15-2000“爆炸性气体环境用电气设备 第 15 部分：危险场所电气安装（煤矿除外）”、GB3836.16-2006“爆炸性气体环境用电气设备 第 16 部分：电气装置的检查和维护（煤矿除外）”和 GB50257-2014“电气装置安装工程爆炸和火灾危险环境电力装置施工及验收规范”的有关规定

I3 NEPSI Intrinsic Safety

Certificate	GYJ19.1126X
Standards	GB3836.1-2010, GB3836.4-2010, GB3836.20-2010
Markings	Ex ia IIC T5/T6 Ga; T6(-60 °C ≤ T _a ≤ +60 °C) T5(-60 °C ≤ T _a ≤ +80 °C) See Table 6 for Entity Parameters and Temperature Classifications.

Special Condition for Safe Use (X):

See certificate for special conditions

N3 NEPSI Zone 2

Certificate	GYJ19.1127
Standards	GB3836.1-2010, GB3836.8-2014
Markings	Ex nA IIC T5/T6 Gc; T6(-60 °C ≤ T _a ≤ +60 °C) T5(-60 °C ≤ T _a ≤ +80 °C); V _{max} = 42.4 Vdc

Special Condition for Safe Use (X):

See certificate for special conditions

EAC

EM Technical Regulation Customs Union (EAC) Flameproof

Markings	1Ex d IIC T6...T1 Gb X, T6(-50 °C ≤ T _a ≤ +40 °C), T5...T1(-50 °C ≤ T _a ≤ +60 °C); IP66/IP68
-----------------	--

Special Condition for Safe Use (X):

See certificate for special conditions.

IM Technical Regulation Customs Union (EAC) Intrinsic Safety

Markings	0Ex ia IIC T6...T5 Ga X, T6(-60 °C ≤ T _a ≤ +60 °C), T5(-60 °C ≤ T _a ≤ +80 °C); IP66/IP68
-----------------	--

Special condition for safe use (X):

See certificate for special conditions.

KM Technical Regulation Customs Union TR CU 012/2011 (EAC) Flameproof, Intrinsic Safety, and Dust-Ignitionproof

Markings	Ex tb IIIC T130 °C Db X (-40 °C ≤ T _a ≤ +70 °C); IP66/IP68 See EM for Flameproof Markings and see IM for Intrinsic Safety Markings.
-----------------	---

Special Condition for Safe Use (X)

See certificate for special conditions.

Korea

EP Korea Explosionproof/Flameproof

Certificate	20-KA4BO-0917X
Markings	Ex d IIC T6...T1; $-50\text{ }^{\circ}\text{C} \leq T_{\text{amb}} \leq +40\text{ }^{\circ}\text{C}$

Special Condition for Safe Use (X):

See certificate for special conditions.

Combinations

K1	Combination of E1, I1, N1, and ND
K5	Combination of E5 and I5
K6	Combination of I6 and Canada Explosionproof
K7	Combination of E7, I7, and N7
KM	Combination of EM and IM with Dust

Tables

Table 5: Process Temperatures

Temperature class	Ambient temperatures	Process temperature without LCD display cover (°C)			
		No ext.	3-in.	6-in.	9-in.
T6	-50 °C to +40 °C	55	55	60	65
T5	-50 °C to +60 °C	70	70	70	75
T4	-50 °C to +60 °C	100	110	120	130
T3	-50 °C to +60 °C	170	190	200	200
T2	-50 °C to +60 °C	280	300	300	300
T1	-50 °C to +60 °C	440	450	450	450
T130 °C	-40 °C to +70 °C	100	110	110	120

Table 6: Entity Parameters

Parameters	Loop terminals + and -	Sensor terminals 1 to 4
Voltage U_i	30 V	30 V
Current I_i	266 mA	26 mA
Power P_i	1 W	191 mW
Capacitance C_i	0 nF	1.54 nF
Inductance L_i	0 mH	0 μ H

Additional certification (Rosemount 248 Head Mount only)

SBV Bureau Veritas (BV) Type Approval

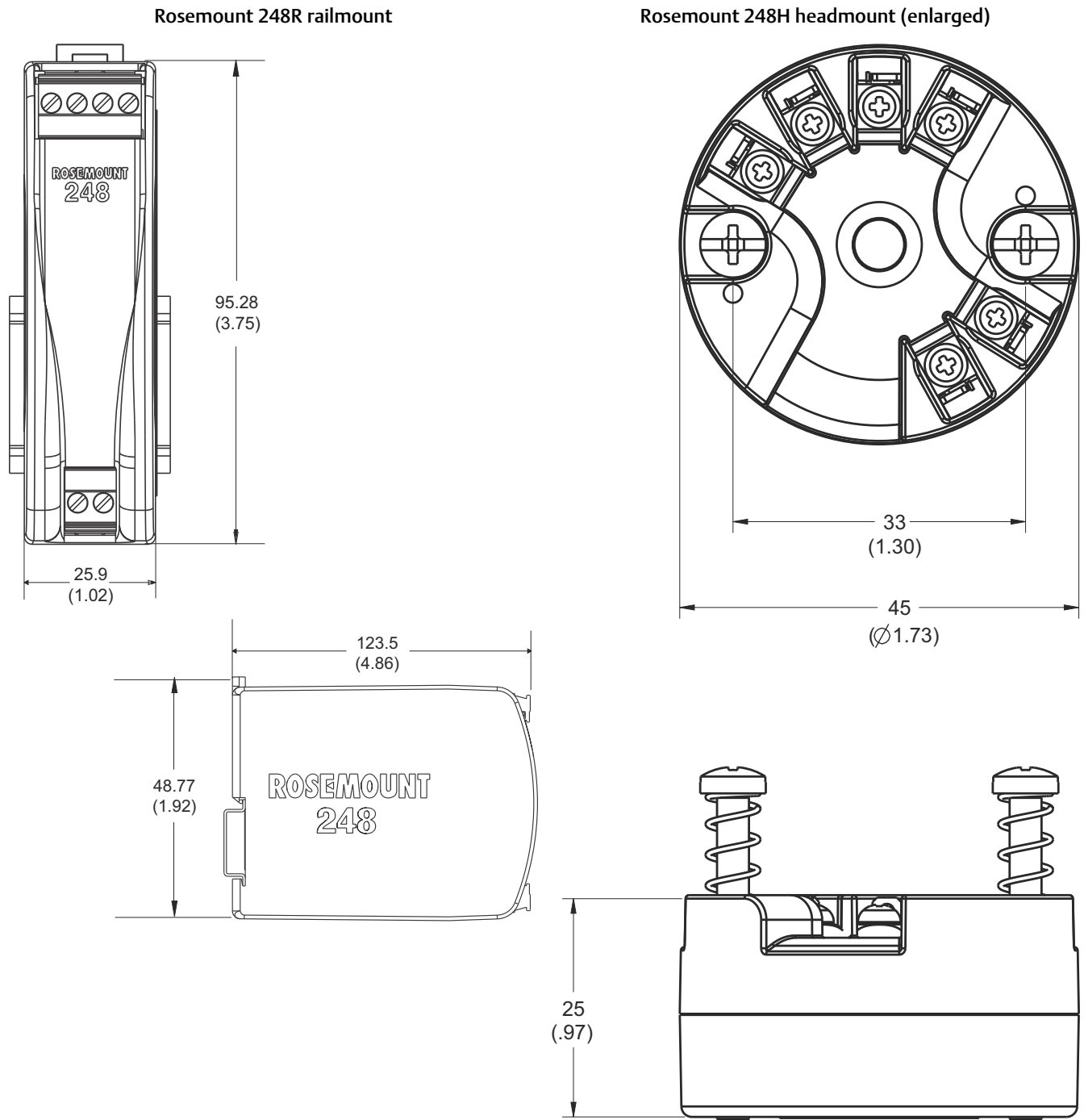
Certificate: 26325

Requirements: Bureau Veritas Rules for the Classification of Steel Ships

Application: Class notations: AUT-UMS, AUT-CCS, AUT-PORT and AUT-IMS; Temperature transmitter cannot be installed on diesel engines.

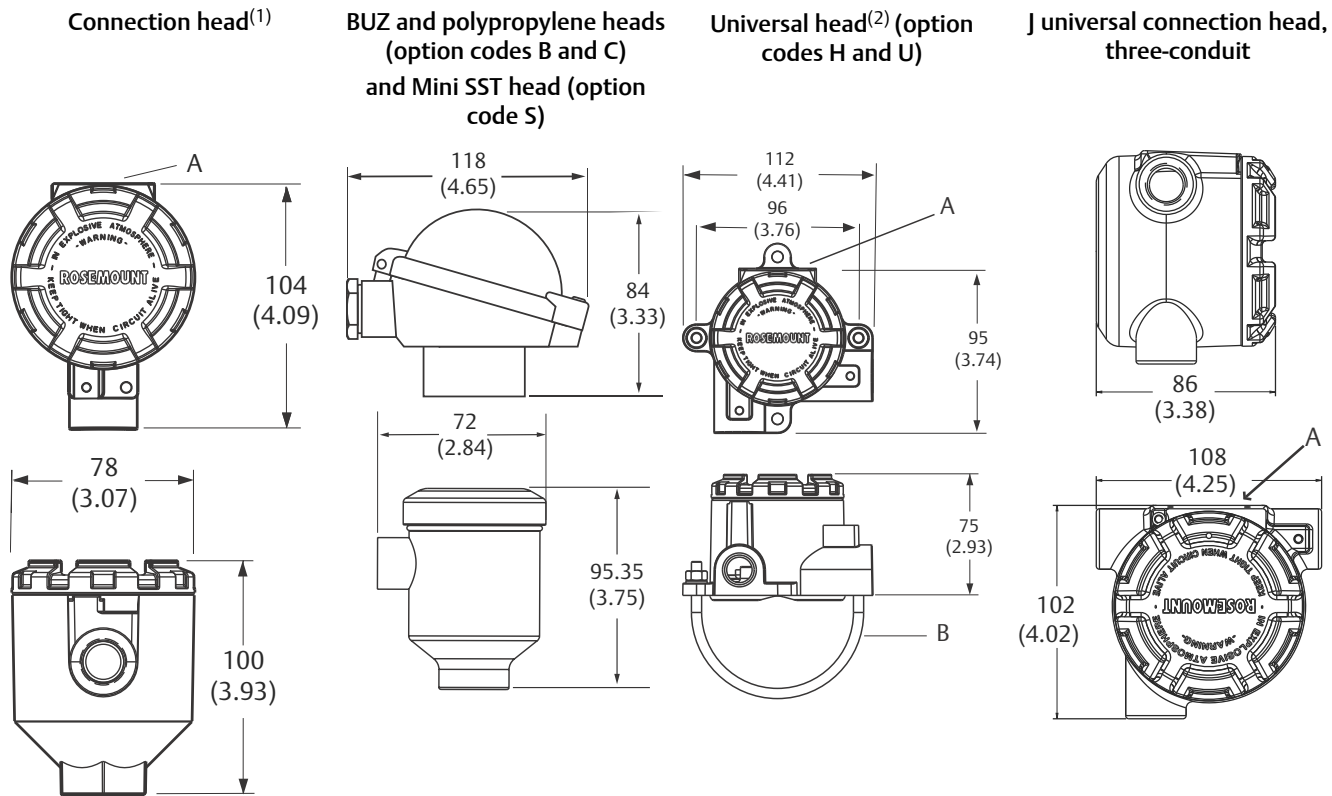
Dimensional drawings

Figure 5: Transmitters



Dimensions are in millimeters (inches).

Figure 6: Enclosures



- A. Approval label
- B. SST “U” bolt mounting, 2-in. pipe

Dimensions are in millimeters (inches).

- (1) If ordering the transmitter with a DIN style sensor, it is recommended the enclosure be ordered within the sensor model (see Rosemount DIN-Style Product Data Sheet) rather than within the transmitter model, in order to drive necessary parts.
- (2) A U-bolt is shipped with each universal head unless a sensor is ordered assembled to the enclosure. However, since the head can be integrally mounted to the sensor, it may not need to be used.

Configuration interface specifications

Configuration software

Note

The Rosemount configuration software is compatible with Windows™ XP, Windows 7 32-bit and Windows 7 64-bit. It is not compatible with Windows NT and Windows 2000. The PC-based configuration software is only available for HART Revision 5 output.

The Rosemount 248 PC-based configuration software for the Rosemount 248 allows comprehensive configuration of the transmitters. Used in conjunction with various Rosemount or user-supplied hardware modems, the software provides the tools necessary to configure the Rosemount 248 Transmitters including the following parameters:

- Process Variable
- Sensor Type
- Number of Wires
- Engineering Units

- Transmitter Tag Information
- Damping
- Alarming Parameters

Configuration hardware (HART[®] 5 only)

The Rosemount 248 Configuration Interface has three hardware options as follows:

Software only

- Part number: 00248-1603-0002
- Customer must provide appropriate communications hardware (e.g. modem, power supply).

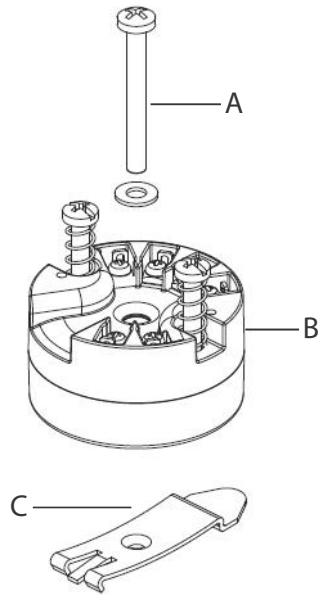
Serial HART modem and software

- Part number: 00248-1603-0004
- Serial HART modem
- Customer must provide separate loop power supply and resistor.
- Requires PC serial port
- Suitable for use with powered loops

USB HART modem and software

- Part number: 00248-1603-0003
- USB (Universal Serial Bus) HART modem
- Customer must provide separate loop power supply and resistor.
- Requires PC with USB port
- Suitable for use with powered loops

Transmitter accessories



- A. Mounting hardware
- B. Transmitter
- C. Rail clip

Table 7: Transmitter Accessories

Part description	Part number
Aluminum alloy universal head – M20 entries	00644-4420-0002
Aluminum Alloy Universal Head – ½ NPT entries	00644-4420-0001
Aluminum alloy Rosemount connection head – M20 Conduit entry, M24 Instrument entry	00644-4410-0023
Aluminum alloy Rosemount connection head – ½ NPT Conduit entry and M24 Instrument entry	00644-4410-0013
Aluminum alloy BUZ head – M20 Conduit entry, M24 Instrument entry	00644-4196-0023
Aluminum alloy BUZ head – M20 Conduit entry and ½ NPT Instrument entry	00644-4196-0021
Aluminum alloy BUZ head – ½ NPT Conduit entry	00644-4196-0011
Universal head, aluminum, standard cover, 3-Conduit - M20 Entries	00644-4439-0001
Universal head, aluminum, standard cover, 3-Conduit - ½ - 14 NPT Entries	00644-4439-0002
External ground screw assembly kit	00644-4431-0001
Kit, hardware for mounting a Rosemount 248 to a DIN rail (see left picture-top hat rail, symmetric)	00248-1601-0001
Standard cover for universal or Rosemount connection heads	03031-0292-0001
Snap rings kit (used for assembly to DIN plate style sensor)	00644-4432-0001
Rosemount 248 programming software (CD)	00248-1603-0002
Rosemount 248 programming kit - Serial connection	00248-1603-0004
Rosemount 248 programming kit - USB connection	00248-1603-0003

Hardware tag

- 20 characters maximum
- Transmitter enclosure, sensor, and thermowell if applicable will be tagged in accordance with customer requirements.

Software tag

- The transmitter can store up to eight characters. If no characters are specified, the first eight characters of the hardware tag are the default.
- Long software tag available with HART 7 up to 32 characters.

Configuration

When ordering a transmitter and sensor assembly in one model number, the transmitter will be configured for the sensor that is ordered.

When a transmitter is ordered alone, the transmitter will be shipped as follows (unless specified):

Sensor type	RTD, Pt 100 ($\alpha=0.00385$, 4-wire)
4 mA Value	0 °C
20 mA Value	100 °C
Damping	5 seconds
Output	Linear with temperature
Failure Mode	High/Upscale
Line Voltage Filter	50 Hz
Tag	See Hardware tag

Options

The following table lists the requirements necessary to specify a custom configuration.

Option code	Requirements/Specification
C1: Factory configuration data (CDS required)	Date: day/month/year Descriptor: 16 alphanumeric characters Message: 32 alphanumeric character Analog Output: Alarm and saturation levels
A1: NAMUR-compliant, high alarm	See NAMUR recommendations .
CN: NAMUR-compliant, low alarm	See NAMUR recommendations .
Q4: Calibration certificate	Will include 3-point calibration at 0, 50, and 100% analog and digital output points.
C4: 5-point calibration	Will include 5-point calibration at 0, 25, 50, 75, and 100% analog and digital output points. Use with Calibration Certificate Q4.
F6: 60 Hz Line Filter	Calibrated to a 60 Hz line voltage filter instead of 50 Hz filter

Emerson Automation Solutions

6021 Innovation Blvd.
Shakopee, MN 55379, USA
📞 +1 800 999 9307 or +1 952 906 8888
📠 +1 952 949 7001
✉️ RFQ.RMD-RCC@Emerson.com

Latin America Regional Office

Emerson Automation Solutions
1300 Concord Terrace, Suite 400
Sunrise, FL 33323, USA
📞 +1 954 846 5030
📠 +1 954 846 5121
✉️ RFQ.RMD-RCC@Emerson.com

Asia Pacific Regional Office

Emerson Automation Solutions
1 Pandan Crescent
Singapore 128461
📞 +65 6777 8211
📠 +65 6777 0947
✉️ Enquiries@AP.Emerson.com

North America Regional Office

Emerson Automation Solutions
8200 Market Blvd.
Chanhassen, MN 55317, USA
📞 +1 800 999 9307 or +1 952 906 8888
📠 +1 952 949 7001
✉️ RMT-NA.RCCRFQ@Emerson.com


Europe Regional Office

Emerson Automation Solutions Europe
GmbH
Neuhofstrasse 19a P.O. Box 1046
CH 6340 Baar
Switzerland
📞 +41 (0) 41 768 6111
📠 +41 (0) 41 768 6300
✉️ RFQ.RMD-RCC@Emerson.com


Middle East and Africa Regional Office

Emerson Automation Solutions
Emerson FZE P.O. Box 17033
Jebel Ali Free Zone - South 2
Dubai, United Arab Emirates
📞 +971 4 8118100
📠 +971 4 8865465
✉️ RFQ.RMTMEA@Emerson.com

 [Linkedin.com/company/Emerson-Automation-Solutions](https://www.linkedin.com/company/Emerson-Automation-Solutions)

 [Twitter.com/Rosemount_News](https://twitter.com/Rosemount_News)

 [Facebook.com/Rosemount](https://www.facebook.com/Rosemount)

 [Youtube.com/user/RosemountMeasurement](https://www.youtube.com/user/RosemountMeasurement)

©2021 Emerson. All rights reserved.

Emerson Terms and Conditions of Sale are available upon request. The Emerson logo is a trademark and service mark of Emerson Electric Co. Rosemount is a mark of one of the Emerson family of companies. All other marks are the property of their respective owners.