

VEGAFLEX 61

Level sensor acc. to the measuring principle of the
guided microwave (TDR)

For universal use in light solids and liquids

- setup without adjustment
- independent of product features
- insensitive to dust, vapour and buildup
- probes can be shortened
- signal processing ECHOFOX® for echo analysis with Fuzzy-Logic

Dielectric constant : from 1.7





Approval

- XX** without
- XM** Ship approval (GL,LRS;ABS;RINA;CSS)
- CX** ATEX II 1G, 1/2G, 2G EEx ia IIC T6
- CA** ATEX II 1G, 1/2G, 2G EEx ia IIC T6 + WHG
- CM** ATEX II 1G, 1/2G, 2G EEx ia IIC T6 + Ship approval
- DX** ATEX II 1/2G, 2G EEx d ia IIC T6¹⁾
- GX** ATEX II 1/2D IP6X T

Version/Material

- A** exchangeable cable ø4 mm w. gravity weight/1.4401
- C** exchangeable rod ø6 mm/1.4435(316L)

Process connection/Material

- GB** Thread G¾A PN40/1.4435(316L)
- NB** Thread ¾NPT PN40/1.4435(316L)
- GC** Thread G1A PN40/1.4435(316L)
- NC** Thread 1NPT PN40/1.4435(316L)
- GD** Thread G1½A PN40/1.4435(316L)
- ND** Thread 1½NPT PN40/1.4435(316L)
- FA** Flange DN25PN40 Form C,DIN2501/1.4435(316L)
- FB** Flange DN40PN40 Form C,DIN2501/1.4435(316L)
- FC** Flange DN50PN40 Form C,DIN2501/1.4435(316L)
- FD** Flange DN80PN40 Form C,DIN2501/1.4435(316L)
- AA** Flange 1"150lb RF,ANSI B16.5/1.4435(316L)
- AE** Flange 2"150lb RF,ANSI B16.5/1.4435(316L)
- AI** Flange 3"150lb RF,ANSI B16.5/1.4435(316L)

Seal/Process temperature

- 1** Viton/-30...150°C
- 3** EPDM/-40...150°C

Electronics

- H** 4...20mA HART®
- P** Profibus PA
- F** Foundation Fieldbus

Housing/Protection

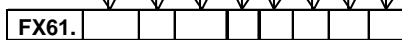
- K** Plastic/IP66
- A** Aluminium/IP66
- D** Aluminium double chamber/IP66
- V** Stainless steel 1.4435(316L)/IP66

Cable entry/Plug connection

- M** M20x1.5/without
- N** ½NPT/without

Indicating-adjustment module

- X** without
- A** mounted



¹⁾ Only in conjunction with housing version "D"

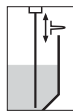
Length in mm

- per 100 mm cable of 1.4401
- per 100 mm rod of 1.4435

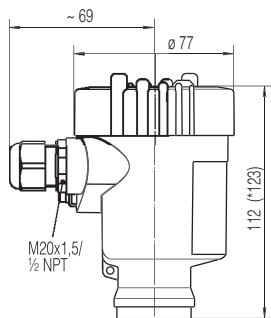
Probe lengths: mm

Cable: min. 1000 mm, max. 32000 mm
 Rod: min. 500 mm, max. 4000 mm

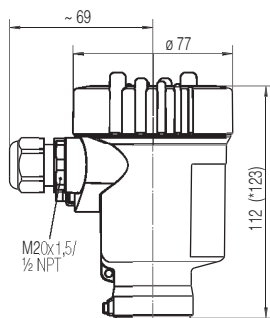
- Further process connections upon request
- Profibus accessory see chapter "Signal conditioning instruments and communication"



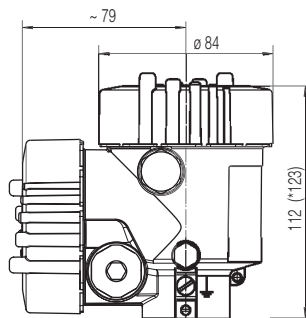
Plastic housing



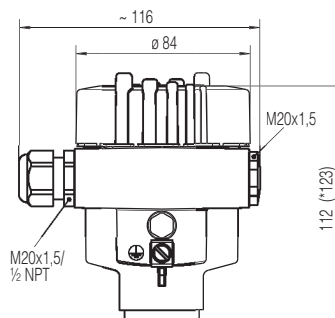
Stainless steel housing



Aluminium double chamber housing

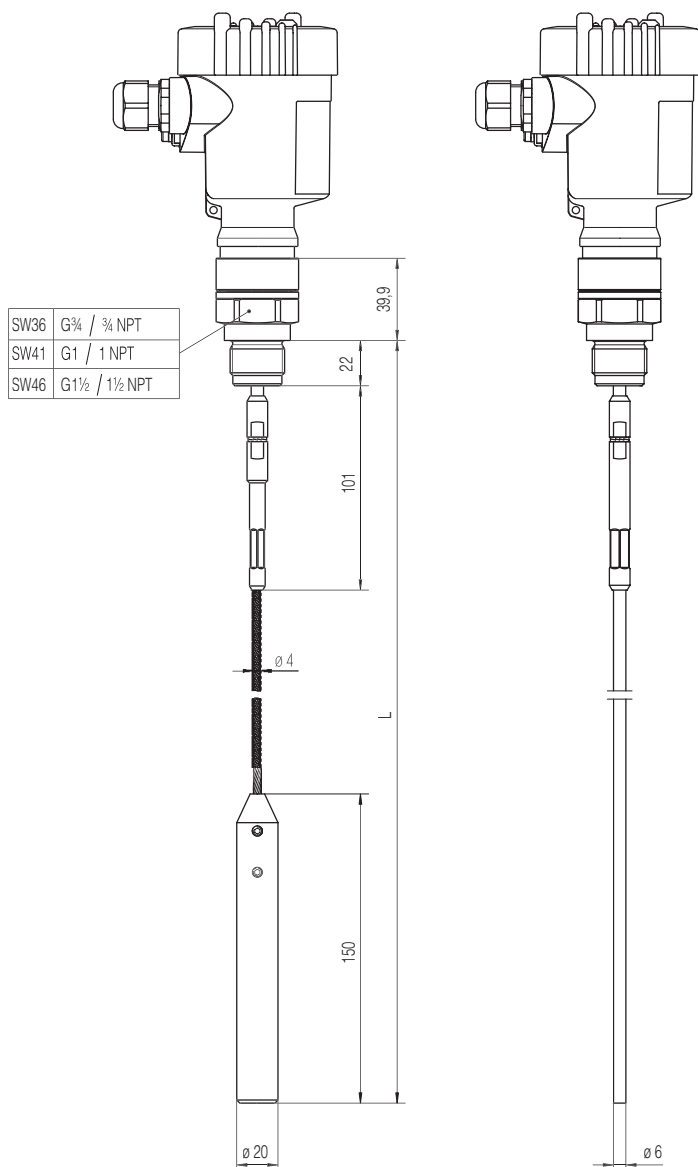


Aluminium housing



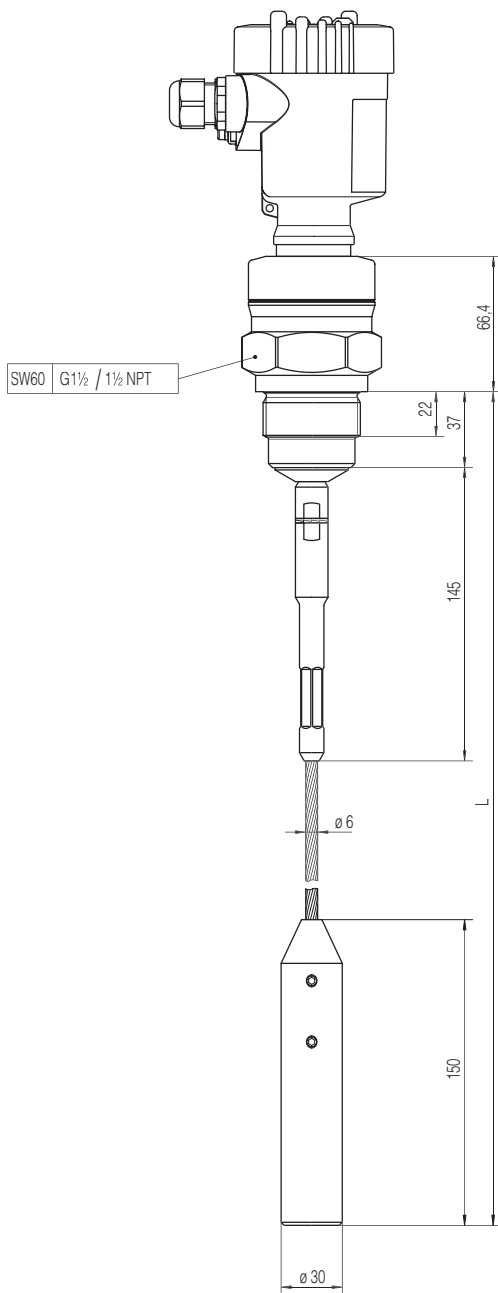
* with indication

VEGAFLEX 61



VEGAFLEX 62

VEGAFLEX 65



SW36	G¾ / ¾ NPT
SW41	G1 / 1 NPT
SW46	G1½ / 1½ NPT

