



VEGABAR 52



Pressure transmitter with CERTEC® measuring cell

Application area

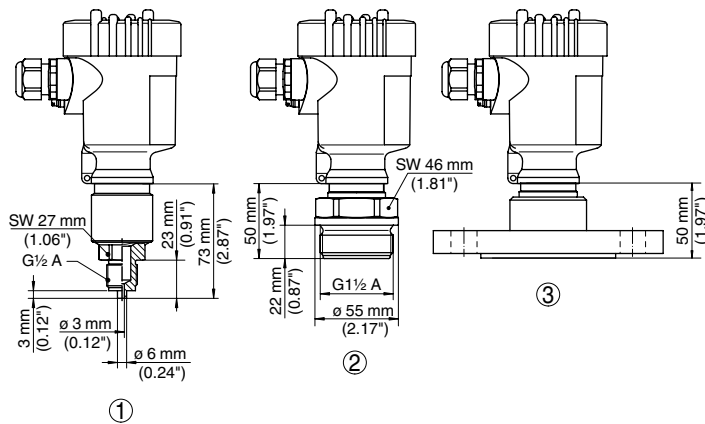
The VEGABAR 52 is a pressure transmitter for measurement of gauge pressure and absolute pressure. Products to be measured are gases, vapours and liquids.

Advantages

- Dry, ceramic-capacitive sensor element
- High measuring accuracy
- Maximum overload and vacuum resistance
- Smallest measuring ranges

Function

Sensor element is the CERTEC® measuring cell with rugged ceramic diaphragm. The process pressure causes a capacitance change in the measuring cell. This change is converted into an appropriate output signal and outputted as measured value. The CERTEC® measuring cell is also equipped with a temperature sensor. The temperature value can be displayed via the indicating and adjustment module or processed via the signal output.



- 1 Threaded version G $\frac{1}{2}$ A (manometer connection EN 837)
- 2 Threaded version G1 $\frac{1}{2}$ A
- 3 Flange version DN 50



Approval

- XX** without
- XM** Ship approval
- CX** ATEX II 1G, 1/2G, 2G Ex ia IIC T6
- CA** ATEX II 1G, 1/2G, 2G Ex ia IIC T6 + WHG
- CM** ATEX II 1G, 1/2G, 2G Ex ia IIC T6 + Ship approval
- CI** Zone 0, 0/1, 1 Ex ia IIC T6
- DX** ATEX II 1/2G, 2G Ex d ia IIC T6
- GX** ATEX II 1/2D, 2D Ex tD IP66 T..

Process fitting / Material

- GV** Thread G $\frac{1}{2}$ A (EN837) manometer connection PN160 / 316L
- GP** Thread G $\frac{1}{2}$ A, inner G $\frac{1}{4}$ A (ISO228-1) PN160 / 316L
- GG** Thread G1 $\frac{1}{2}$ A (DIN3852-A) PN60 / 316L
- GW** Thread G1 $\frac{1}{2}$ A (DIN3852-A-B) PN10 / PVDF
- GN** Thread $\frac{1}{2}$ NPT, inner $\frac{1}{4}$ NPT (ASME B1.20.1) PN160/316L
- CA** Tri-Clamp 2" PN16 / 316L
- LA** Hyg. fitting with compression nut F40 PN40 / 316L
- TA** Varivent N50-40 PN25 / 316L
- RD** Bolting DN50PN25 Form A DIN11864 / 316L
- BB** Thread M44x1.25(DIN13)pressure screw StSt PN60 / 316L
- FB** Flange DN50PN40 Form C, DIN2501 / 316L
- FE** Flange DN80PN40 Form C, DIN2501 / 316L
- FH** Flange 2" 150lb RF, ANSI B16.5 / 316L
- FI** Flange 3" 150lb RF, ANSI B16.5 / 316L

Seal measuring cell / Process temperature

- 1** FKM (A+P 70.16) / -40...120°C
- 3** EPDM (A+P 75.5/KW75F) / -40...120°C
- M** FFKM (Perlast G75B) / -15...120°C

Pressure / Measuring range

- A** rel. / 0...0.1bar (0...10kPa)
- B** rel. / 0...0.2bar (0...20kPa)
- C** rel. / 0...0.4bar (0...40kPa)
- D** rel. / 0...1.0bar (0...100kPa)
- E** rel. / 0...2.5bar (0...250kPa)
- F** rel. / 0...5.0bar (0...500kPa)
- G** rel. / 0...10.0bar (0...1000kPa)
- P** rel. / -1...0.0bar (-100...0kPa)
- Q** rel. / -1...1.5bar (-100...150kPa)
- R** rel. / -1...5.0bar (-100...500kPa)
- S** rel. / -1...10.0bar (-100...1000kPa)
- K** rel. / -0.05...0.05bar (-5...5kPa)
- L** rel. / -0.1...0.1bar (-10...10kPa)
- M** rel. / -0.2...0.2bar (-20...20kPa)
- 1** abs. / 0 ... 1.0bar (0 ... 100kPa)
- 2** abs. / 0 ... 2.5bar (0 ... 250kPa)
- 3** abs. / 0 ... 5.0bar (0 ... 500kPa)

Electronics

- Z** 4...20mA
- H** 4...20mA/HART®
- P** Profibus PA
- F** Foundation Fieldbus

Housing / Protection

- K** Plastic / IP66/IP67
- A** Aluminium / IP66/IP67
- D** Aluminium double chamber / IP66/IP67
- 8** StSt (electropolished) 316L / IP66/IP67
- P** PUR cable axial IP 68, ext. housing plastic IP 65
- W** StSt double chamber / IP66/IP67
- R** Plastic double chamber / IP66/IP67

Cable entry / Cable gland / Plug connection

- M** M20x1.5 / with / without
- N** $\frac{1}{2}$ NPT / without / without

Indicating/adjustment module (PLICSCOM)

- X** Without
- A** mounted

Accuracy class

- M** 0.075 %
- E** 0.10 %
- S** 0.20 %



Thank you for reading this data sheet.

For pricing or for further information, please contact us at our UK Office, using the details below.



UK Office

Keison Products,

P.O. Box 2124, Chelmsford, Essex, CM1 3UP, England.

Tel: +44 (0)330 088 0560

Fax: +44 (0)1245 808399

Email: sales@keison.co.uk

Please note - Product designs and specifications are subject to change without notice. The user is responsible for determining the suitability of this product.