

Humidity and temperature Transmitter

Model: MDHT 10

Applications

- Pharmaceutical factory
- Cleanroom
- Patient isolation rooms
- Operating rooms
- Ventilation systems
- Air conditioning filtration system
- Industrial manufacturing

Special features

- 1 year warranty
- High accuracy and good stability sensor
- 4...20 mA or 0...5 VDC output
- Multi temperature unit range
- 68 * 50 mm large screen LCD display



Description

- **Accuracy class** 3% RH, 0.3% temperature
- **Temperature range** -20 ... 100°C
- **Humidity range** 0...100%(3%, 10...90%RH)
- **Resolution** 0.1%
- **Counted values** Dew point, absolute humidity, specific mixing ratio, specific enthalpy
- **Sampling rate** 0.5 / sec
- **Response time** 5 / s
- **Power supply** 9...30VDC
- **Out put** RS 485
- **Long-term stability** ± 0.25% FS/year
- **Unit switch** °C / °F
- **Protection** IP67

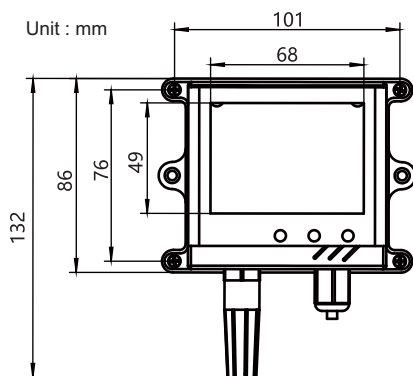
Temperature range selection

Model	Scale ranges
M1	-20 ... 100 °C
M2	0 ... 40 °C
M3	0 ... 60 °C
M4	0 ... 80 °C
M5	0 ... 100 °C
C	Customer should consult with the factory if has any special requirement

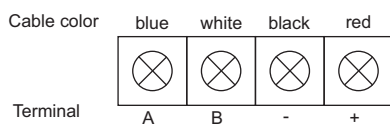
MDHT 10 Humidity and temperature Transmitter

ORDERING CODE	Example: MDHT10	M6	U	D	W	O	R	Note
please see the temperature range selection								
Please specify		M6						
Out Put								
U - Two 4 ... 20 mA			U					
S - 4 ... 20 mA + RTD								
V - 0 ... 10 V								
W - 1 ... 5 V								
C - Customer								
Power Supply								
A - 85 ~ 250 VAC								
D - 24 VDC				D				
B - Battery power								
Z - Dual power (battery and 24 VDC)								
Type								
W - Wall mount					W			
D - Duct mount								
Indicator								
W - With								
O - Without						O		
Probe length								
L - Integrated probe								
R - Split probe 1 meter							R	
Other								

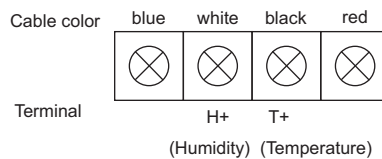
Dimension



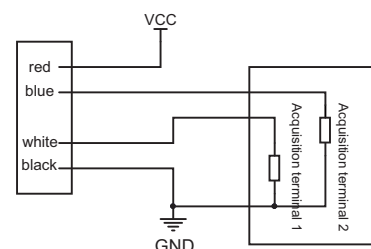
Wiring



RS 485 output



4-20 ma output



wiring diagram



Address: 7191 Yonge street, Toronto, Canada

Tel: +16472221281(5 line)

Web: www.madecotech.com

Email: Info@madecotech.com