

# Panel Mount Rotameter

## Model: MDRT20

### Applications

- Universal measuring principle for low viscosity liquids
- Air sampling equipment aquaculture
- Desalinisation equipment
- Gas analyzers
- Water treatment and distribution systems
- Medical systems

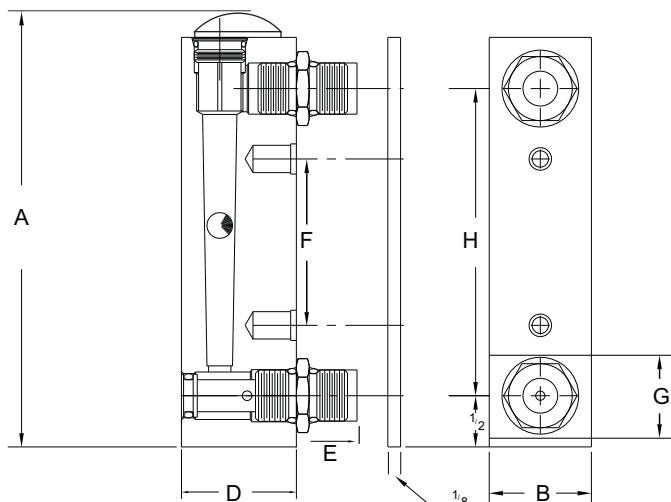
### Special features

- Flow measurement up to 350 m<sup>3</sup>/h for gas and 42 m<sup>3</sup>/h for liquid
- Process pressures up to 8 bar
- Fluid temperature up to 65°C



### Description

- **Accuracy class** 4%, 2% (option)
- **Flow unite** liter, m<sup>3</sup>, or USG per second, minute or hour (the user should specify the required flow unit while ordering)
- **Ambient Temperature** -10...55°C
- **Connection material** Stainless steel, Brass, Brass coromplate, PVC, PP, ABS
- **Float material** Stainless steel, Acrylic, Agata ball, PTFE
- **Oring material** Silicon ruber, Fluorin rubber, Butyl



Model	Range			Connection	Dimension							
	GPM (Liquid)	LPM (Liquid)	m <sup>3</sup> /h (Gas)		A	B	C	D	E	F	G	H
S1		15...150 l/h	0.1...1	1/4 BSP Male/Female	157	32	150	35	25	60	25	110
S2			0.16...1.6									
S3			0.3...3									
S4			0.4...4									
S5		10...100 l/h	0.04...4	1/4 Female BSB or 1/2 male BSB	175	32	168	35	25	76	25	127
S6		15...160 l/h	0.16...1.6									
S7		25...250 l/h	0.25...2.5									
S8		25...250 l/h	0.1...1									
S9	0.03...35	0.1...1.4	0.3...3									
S10	0.05...5	0.2...1.8	0.4...4									
S11	0.1...1	0.5...4	0.6...6									
S12	0.15...1.5	0.6...6	0.8...8									
S13	0.2...2	1...7	1...10									
S14	0.3...3	1...11	1.6...16									
S15	0.5...5	2...18	1.8...18									
S16			2...20									
S17			2.5...25									
S18			3...30									
S19			4...40									
S20	1...10	5...35	2.5...25	1 Female BSB or 1 male BSB	234	45	226	46	33	100	37	160
S21	1...15	5...50	4...40									
S22	2...14	10...50	6...60									
S23	2...20	10...70	10...100									
S24	5...35	10...130	16...160									
S25	5...40	10...150	25...250									
S26	5...45	10...170	30...300									
S27		0.3...2.1m <sup>3</sup> /h	35...350									
S28		0.6...3m <sup>3</sup> /h										
S29		0.6...4.2m <sup>3</sup> /h										
SC	Customer should consult with the factory if has any special requirement											

### MDRT 20 Panel mount flowmeter

ORDERING CODE	Example:	MDRT 20	M6	1	S	1	A	Note
For the nominal range please see the diameter selection table								
Please specify			M6					
Connection Material								
1 - PVC				1				
2 - PP								
3 - ABS								
4 - Brass								
5 - Brass chrome plate								
6 - 304 Stainless steel								
7 - 316 Stainless steel								
C - Customer								
Float Material								
S - 304 Stainless steel				S				
T - 316 Stainless steel								
A - Acrylic								
G - Agata ball								
P - PTFE								
C - Customer								
Oring Material								
1 - Silicon rubber				1				
2 - Fluorin rubber								
3 - Butyl								
C - Customer								
Accuracy								
A - 4%				A				
B - 2%								
C - Customer								
Other								



Address: 7191 Yonge street, Toronto, Canada

Tel: +16472221281(5 line)

Web: [www.madecotech.com](http://www.madecotech.com)

Email: [Info@madecotech.com](mailto:Info@madecotech.com)