

General Specifications

DO30G Sensor for Dissolved Oxygen Analyzer

GS 12J05D03-01E

■ GENERAL

The DO30G sensor for dissolved oxygen is designed for use in water treatment plants such as sewage treatment works, effluent activated sludge process, and potable water treatment. It is also effective in river monitoring, intake protection, fish farming and other fields where water quality is important.

This galvanic cell has a fast response time and good long term stability, and features replaceable diaphragm and cable for easy maintenance. A temperature sensor is incorporated for compensation. The DO30G sensor can be used in either the PB350G/PB360G floating ball holders or in the DOX8HS submersion type holder.

■ FEATURES

DO Sensor with Long-term Stability and Short Electrolyte Stabilization Time

- A DO sensor that uses a special electrolyte, shortening the electrolyte stabilization time and realizing stable measurements over a long period of time.
- Measuring range of 0 to 20 mg/L
- A membrane that is easily replaceable by anyone because of the cartridge type
- A membrane 50 mm thick that is hard to tear and has reduced influence from air bubbles

■ SYSTEM

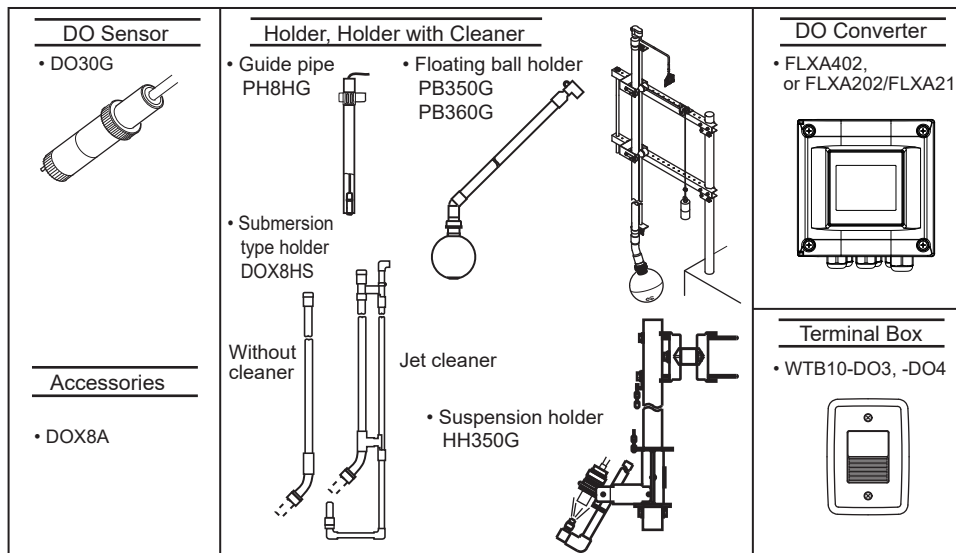
Refer to GS 12A01F02-01EN for 4-wire Converter FLXA402, GS 12A01A03-01EN for 2-wire liquid analyzer FLXA202, GS 12A01A02-01E for 2-wire liquid analyzer FLXA21 and GS 12J05C02-00E for holders.



DO30G Sensor



PB350G Floating ball holder



Note: "DO" of DO sensor means dissolved oxygen.

CAUTION



Installation Location of Holders (Guide Pipe, Submersion Type, etc)
The holder should be used in a place that is as vibration free as possible. Using the holder in a place where it is affected by vibration, may result in damage to the holder.

FLEXA, FLXA are registered trademarks or trademarks of Yokogawa Electric Corporation. All other company and product names mentioned in this GS are registered trademarks or trademarks of their respective companies.

■ GENERAL SPECIFICATIONS

GENERAL SPECIFICATIONS of DO30G SENSOR

Dissolved Oxygen: 0 to 20 mg/L (ppm)
 Liquid Temperature: 0 to 40°C
 Liquid Pressure: 0 to 100 kPa
 Flow speed: 20 cm/s or more
 Sensor for Temperature Compensation: Pt1000
 Wetted Part Material:
 rigid polyvinyl chloride, stainless steel,
 fluorinated ethylenepropylene, nitrile rubber,
 heat-resistant soft polyvinyl chloride,
 and polycarbonate
 Cable Length: 3 m, 5 m, 10 m, 15 m and 20 m
 Weight: Approx. 0.3 kg + 0.12 × N kg
 N: cable length
 (ex. for cable length of 5 m, approx. 0.9 kg)

CHARACTERISTICS of DO30G SENSOR

Repeatability: 0.1 mg/L or 3% FS, whichever is greater
 (including sensor)
 Temperature Compensation Error:
 Within ±3% FS (including sensor) for a
 ±5°C change in the range of 0 to 40°C
 Response Time: Within 2 minutes
 (90% response)(including sensor)

WTB10 Terminal Box

Used when DO converter is installed at a distance
 from the DO sensor.
 Ambient temperature: -10 to 50°C
 Construction: JIS waterproof
 Case material: Fiberglass reinforced polycarbonate resin
 Electrical connections
 DO sensor side: JIS A8 watertight plastic gland
 DO converter side: JIS A15 watertight plastic gland
 with cable (max. 40 m)
 Conduit adaptor (optional) available
 Case color: Grayish green
 (Munsell 2.5GY5.0/1.0)
 Weight: Body 0.5 kg Mounting hardware: 0.7 kg

DOX8A Parts Set for Maintenance

A set of zero-adjusting reagent and maintenance parts
 <Contents>
 Zero adjusting reagent
 (sodium sulphite 500 g) 1 bottle
 Membrane assembly
 (for membrane thickness of 50 μm) 3 sets
 Electrolyte for sensor (50 mL) 1 bottle
 Syringe for replacing electrolyte 1
 Polish for silver electrode (30 g) 1 bottle
 Polyethylene beaker (200 mL) 1

■ MODEL AND SUFFIX CODES

1. DO Sensor

| Model | Suffix Code | Option Code | Description |
|--------------------|-------------|-------------|-------------------------|
| DO30G | | | Dissolved Oxygen Sensor |
| — | -NN | | Always -NN |
| Membrane thickness | -50 | | 50 μm |
| Cable length | -03 | | 3 m |
| | -05 | | 5 m |
| | -10 | | 10 m |
| | -15 | | 15 m |
| | -20 | | 20 m |
| Cable terminal | -PN | | Pin terminal (*1) |
| | -FK | | Fork terminal |
| | -FL | | M4 ring terminal (*2) |
| | -FM | | M3 ring terminal (*3) |

- *1: Can be used for FLXA402, FLXA202/FLXA21, DO402G or DO202.
 When terminal box is used, select WTB10-DO3.
 *2: Used to connection to FLXA202/FLXA21.
 When terminal box is used, select WTB10-DO4.
 *3: Used to connection to FLXA402.
 When terminal box is used, select WTB10-DO3.

2. Terminal Box

| Model | Suffix Code | Option Code | Description |
|--------------------------|-------------|-------------|---|
| WTB10 | | | Terminal box |
| Combined system | -DO3 | | For FLXA402, DO402G, DO202, and FLXA202/FLXA21 (*1) |
| | -DO4 | | For FLXA202/FLXA21 (*2) |
| — | -NN | | Always -NN |
| Specify cable length | -00 | | No cable |
| | -05 | | 5 m |
| | -10 | | 10 m |
| | -20 | | 20 m |
| | -30 | | 30 m |
| | -40 | | 40 m |
| Mounting hardware Option | /P | | Pipe mounting hardware |
| | /W | | Wall mounting hardware |
| | /AWTB | | G 1/2 |
| | /ANSI | | 1/2NPT |

- *1: Used for pin terminals, and cable with pin terminals.
 *2: Used for M4 screw terminals, and cable with M4 ring terminals.

3. Accessories (parts set for maintenance)

| Model | Suffix Code | Option Code | Description |
|--------|-------------|-------------|---|
| DOX8A | | | Parts set for maintenance (for membrane thickness of 50 μm) |
| Sensor | -M | | For membrane replacing type sensor |
| — | *B | | Style B |

4. Spare Parts

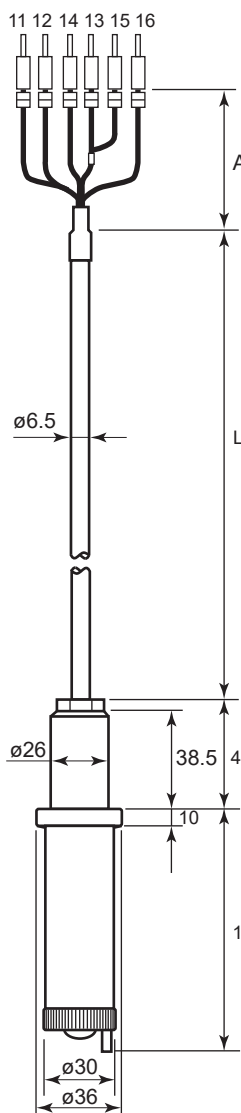
| Part Name | Part No. | Remarks |
|-------------------------------------|----------|---|
| Membrane and electrolyte for sensor | K9171HK | 3 membrane assemblies (thickness of 50 μm) 50 mL of electrolyte Syringe for replacing electrolyte |
| Zero adjusting reagent | L9920BR | Sodium sulfite 500g |
| Polisher | K9088PE | For polishing silver electrode 30g |

DIMENSIONS

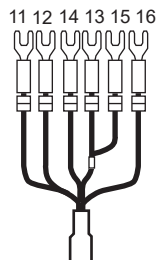
DO Sensor DO30G

Unit: mm

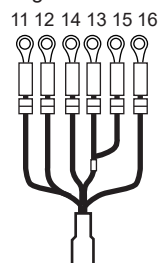
Dissolved-oxygen sensor
with pin terminals



Dissolved-oxygen sensor
with fork terminals



Dissolved-oxygen sensor
with ring terminals



Terminal assign

| | |
|----|--------------|
| 13 | IE |
| 15 | RE |
| 11 | T1 |
| 12 | T2 |
| 14 | Shield |
| 16 | Liquid earth |

Pin terminals

| Model and Suffix Codes | L | Weight (kg) |
|---------------------------|--------|-------------|
| DO30G - NN - 50 - 03 - PN | 3 000 | Approx. 0.6 |
| DO30G - NN - 50 - 05 - PN | 5 000 | Approx. 0.8 |
| DO30G - NN - 50 - 10 - PN | 10 000 | Approx. 1.4 |
| DO30G - NN - 50 - 15 - PN | 15 000 | Approx. 2.0 |
| DO30G - NN - 50 - 20 - PN | 20 000 | Approx. 2.6 |

Fork terminals

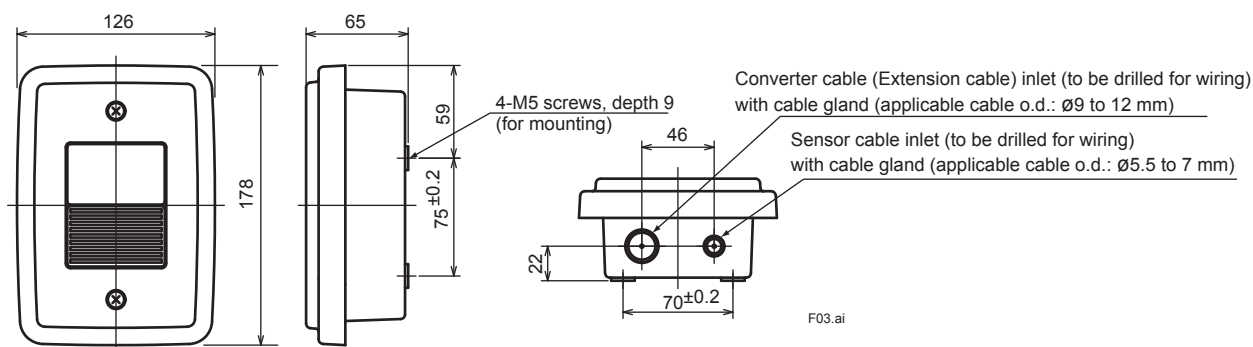
| Model and Suffix Codes | L | Weight (kg) |
|---------------------------|--------|-------------|
| DO30G - NN - 50 - 03 - FK | 3 000 | Approx. 0.6 |
| DO30G - NN - 50 - 05 - FK | 5 000 | Approx. 0.8 |
| DO30G - NN - 50 - 10 - FK | 10 000 | Approx. 1.4 |
| DO30G - NN - 50 - 15 - FK | 15 000 | Approx. 2.0 |
| DO30G - NN - 50 - 20 - FK | 20 000 | Approx. 2.6 |

Ring terminals

| Model and Suffix Codes | L | Weight (kg) |
|---------------------------|--------|-------------|
| DO30G - NN - 50 - 03 - FL | 3 000 | Approx. 0.6 |
| DO30G - NN - 50 - 03 - FM | | |
| DO30G - NN - 50 - 05 - FL | 5 000 | Approx. 0.8 |
| DO30G - NN - 50 - 05 - FM | | |
| DO30G - NN - 50 - 10 - FL | 10 000 | Approx. 1.4 |
| DO30G - NN - 50 - 10 - FM | | |
| DO30G - NN - 50 - 15 - FL | 15 000 | Approx. 2.0 |
| DO30G - NN - 50 - 15 - FM | | |
| DO30G - NN - 50 - 20 - FL | 20 000 | Approx. 2.6 |
| DO30G - NN - 50 - 20 - FM | | |

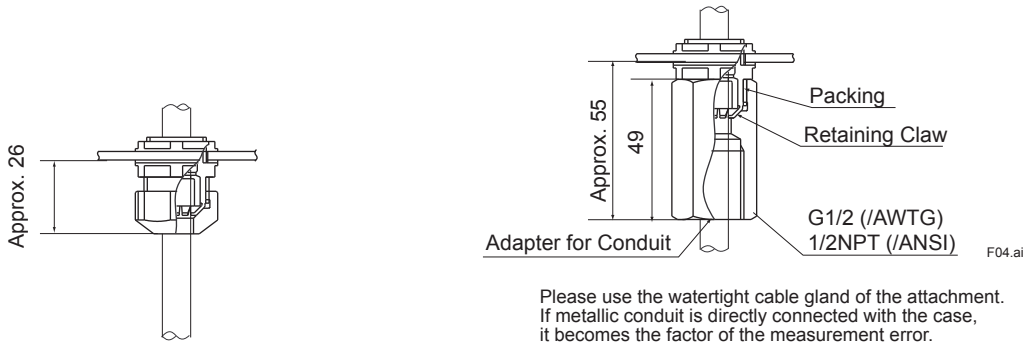
Terminal Box WTB10

Unit: mm



Detailed drawing of cable gland for terminal box

Unit: mm

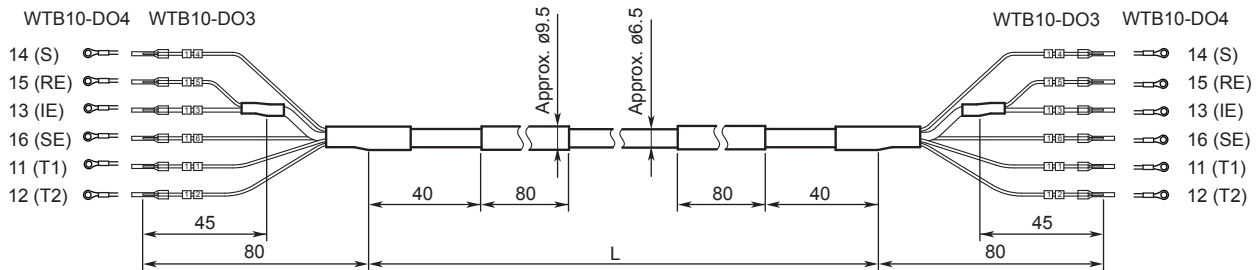


(a) Watertight plastic cable gland (St'd)

(b) Watertight plastic cable gland with conduit adaptor

Dedicated Extension Cable with WTB10 (Not supplied if suffix code “-00” is selected)

Unit: mm



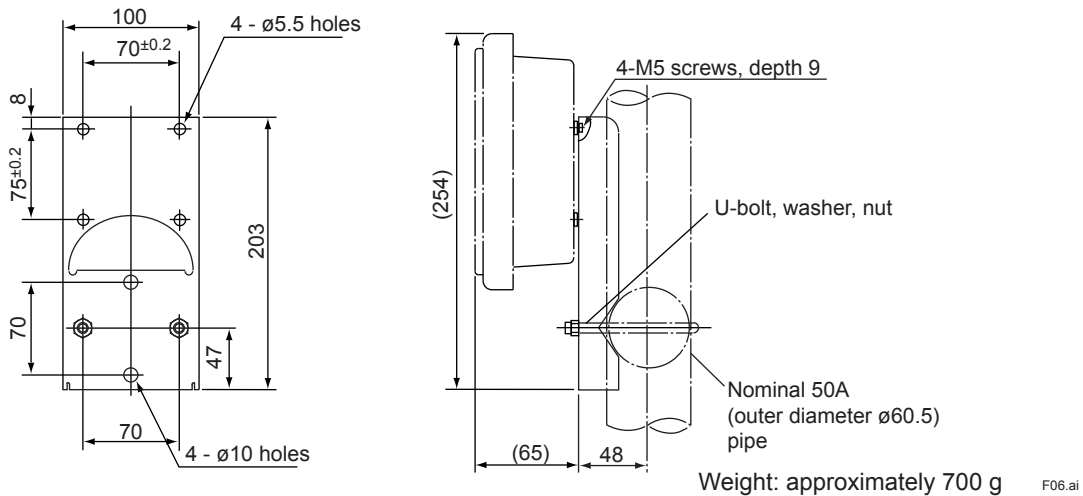
| Model and Suffix Code | L (mm) |
|--|---------------|
| WTB10 - DO3 - NN - 05, WTB10 - DO4 - NN - 05 | Approx. 5000 |
| WTB10 - DO3 - NN - 10, WTB10 - DO4 - NN - 10 | Approx. 10000 |
| WTB10 - DO3 - NN - 20, WTB10 - DO4 - NN - 20 | Approx. 20000 |
| WTB10 - DO3 - NN - 30, WTB10 - DO4 - NN - 30 | Approx. 30000 |
| WTB10 - DO3 - NN - 40, WTB10 - DO4 - NN - 40 | Approx. 40000 |

Weight : Approx. 0.12 kg/m

F05.ai

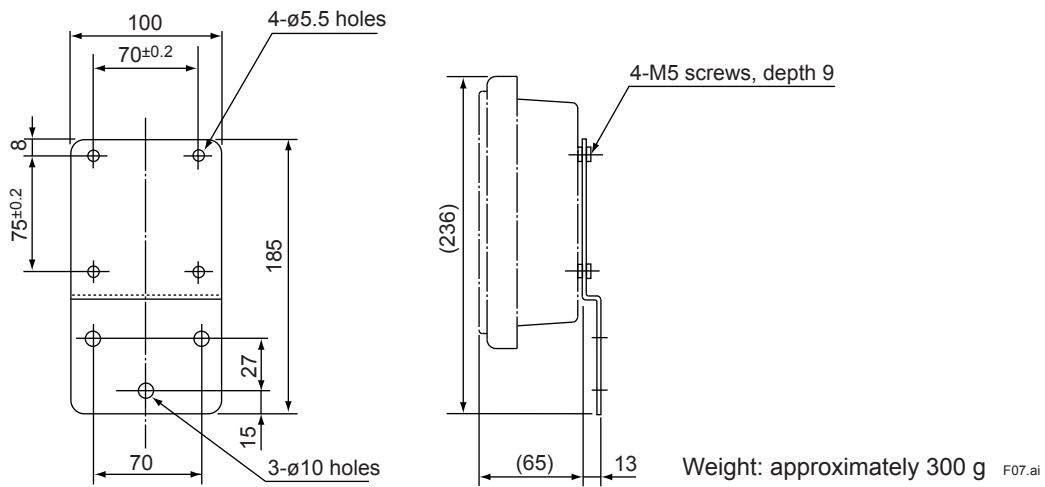
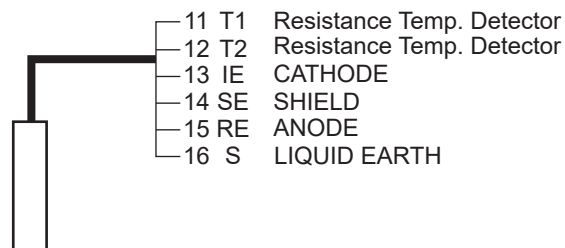
Pipe Mounting Bracket (Optional) (Option Code: /P)

Unit: mm



Wall Mounting Bracket (Optional) (Option Code: /W)

Unit: mm


■ WIRING DIAGRAM EXAMPLE


Note: WTB10 Terminal Box is used when DO converter is installed at a distance from the DO sensor.

Inquiry Specifications Sheet for Dissolved Oxygen Analyzer

For inquiries on the Yokogawa dissolved oxygen analyzer, please tick (✓) the appropriate box (□) and write down the relevant information in the blanks.

1. General

Name of your company: _____
 Name of person : _____ Dept. or sect : _____ (Phone No. _____)
 Name of plant : _____
 Measuring point : _____
 Purpose of use : Indication Recording Alarm Control
 Power supply : _____ V AC _____ Hz DC

2. Measurement Conditions

(1) Liquid temperature : _____ to _____ , Normal _____ [°C]
 (2) Liquid pressure : _____ to _____ , Normal _____ [kPa]
 (3) Flow speed : _____ to _____ , Normal _____ [m/s]
 (4) Name of liquid to be measured : _____
 (5) Components of liquid to be measured : _____
 (6) Other conditions : _____

3. Installation environment

(1) Ambient temperature: approx. _____ [°C]
 (2) Location : Outdoors Indoors _____
 (3) Other information : _____

4. Requirements

(1) Measurement range : 0 to 20 mg/L _____
 (2) System component selection: Sensor Holder Converter Cleaning system Calibration set
 Parts set for maintenance Terminal Box
 (3) Length of sensor cable : 3 m 5 m 10 m 15 m 20 m
 (4) Type of holder : Guide pipe Submersion Floating ball Suspension
 (5) Cleaning method : No cleaning Jet cleaning
 (6) Other requirements : _____