

PS2000X

EXPLOSION PROOF PRESSURE SWITCH

RANGE

10 ~ 100 ...
4000 psi

SWITCH

1 or 2
SPDT

MEDIA

**Liquid
&
Gas**

SPECIFICATION

MODEL	PS2000X
PROCESS CONNECTION	1/4", 1/2" PT, NPT, PF Female M20 x P1.5 Female
MATERIALS	Housing : Die cast aluminum alloy with paint Wetted parts : 316SS
PRESSURE ELEMENT	Welded type diaphragm
SWITCH FORM	Micro Switch, One SPDT Micro Switch, Two SPDT (one setting point) Gold Contact, One SPDT Gold Contact, Two SPDT (one setting point) Hermetically Switch, One SPDT Hermetically Switch, Two SPDT (one setting point)
ELECTRICAL RATING	Microswitch : 15amps 125/250VAC, DC125V 0.4A, DC30V 3A Gold Contact Microswitch : 1A 125/250VAC Hermetically Sealed Switch : 5A/250VAC
REPEATABILITY	±1% of full scale
CONDUIT CONNECTION	1/2"NPT Female 3/4"NPT Female M20 x P1.5 Female
TEMPERATURE LIMIT	-30 ~ 205 °C
EXPLOSION TYPE	Code A : Certificate on Housing Only [FM Approval] Class I, Groups A, B, C & D; Class II, Groups E, F & G; Class III; NEMA 4X Code B : Taiwan Explosion Proof Certification Ex d IIB + H2 T6 Gb Code E : International IECEx Certification Ex db IIB + H2 T6 Gb; Ex tb IIIC T85 °C Db Code X : Europe Union ATEX Certification II 2 G D Ex db IIB + H2 T6 Gb; II 2 G D Ex tb IIIC T85 °C Db Code U : UL Certification Class I, Division 1, Groups A, B, C & D; Class II, Division 1, Groups E, F & G Code G : China Explosion Proof Certification Ex d IIB + H2 T6 Gb; Ex tD A21 IP6X T85 °C

Approvals:



TD0400TJ
工電(2012)第00320號
(ITRI)2017第07-00075號



Patent No.

M295332
M334932
China: 920135

Explosion Proof Type, IP68



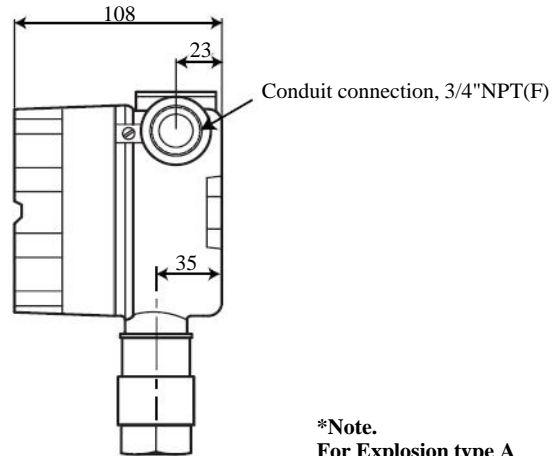
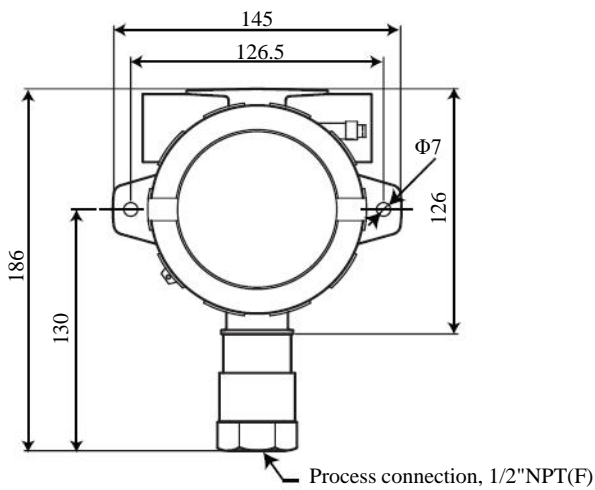
when the operating temperature exceeds 120°C,
a cooling element must be installed

FLOW | PRESSURE | TEMPERATURE | AC | DC | BATTERY | OUTPUT | CONTACT | DISPLAY

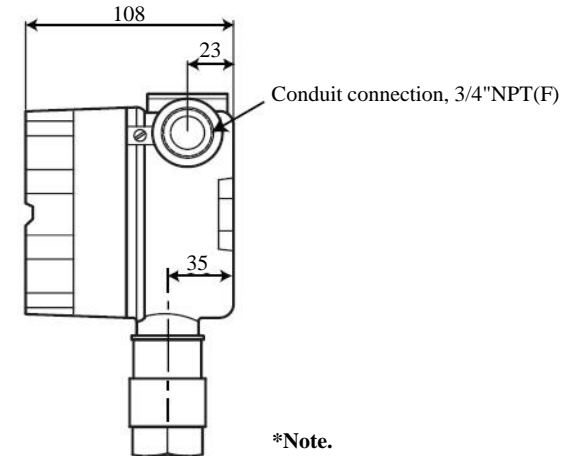
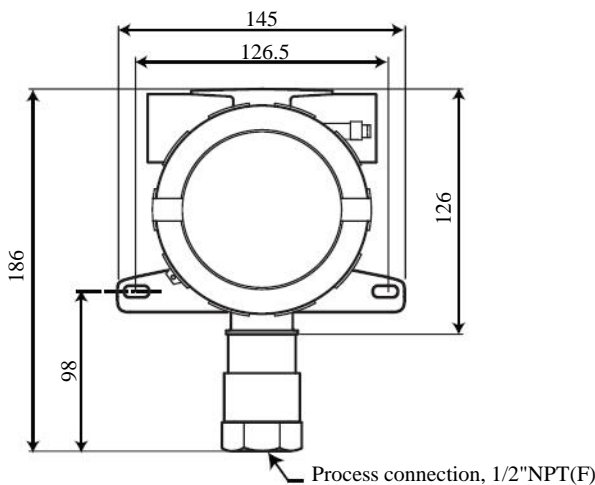
CODE	ADJUSTABLE RANGE	DEAD BAND [unit : psi]			MAX. PRESSURE PROOF
		Micro Switch	Gold Contact	Hermetically Switch	
10R	10 ~ 100 psig	0.9~2.1	4.7~9.2	5.4~1.2	3000 psig
20R	35 ~ 200 psig	1.4~5.4	4.7~11.4	5.4~18.5	3000 psig
30R	50 ~ 300 psig	1.4~6.9	5.3~37	5.4~45.5	3000 psig
60R	100 ~ 600 psig	1.7~15.1	5.3~78	5.7~66.7	3000 psig
130R	100 ~ 1300 psig	5.5~15	5.3~106.5	5.7~126.4	3000 psig
240R	300 ~ 2400 psig	19.6~39.5	16.9~165	19.9~227.2	4000 psig
400R	400 ~ 4000 psig	32.5~65.6	16.9~213	19.9~326.6	5000 psig

DIMENSION (mm)

※ 제품의 사양에 따라 변경 될 수 있습니다



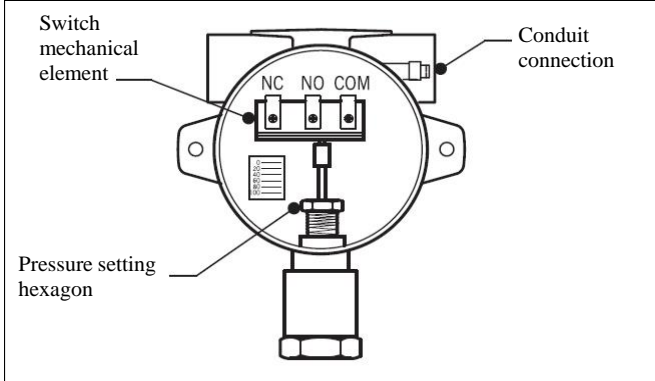
***Note.**
For Explosion type A
(Certificate on Housing only).



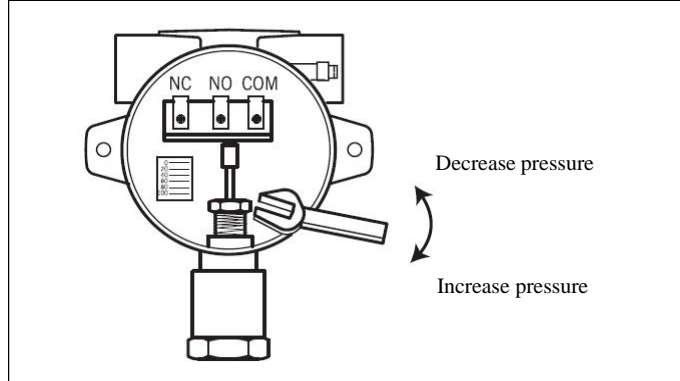
***Note.**
For Explosion type B, E, X, J, R and U.

| FLOW | | PRESSURE | | TEMPERATURE | | AC | | DC | | BATTERY | | OUTPUT | | CONTACT | | DISPLAY |

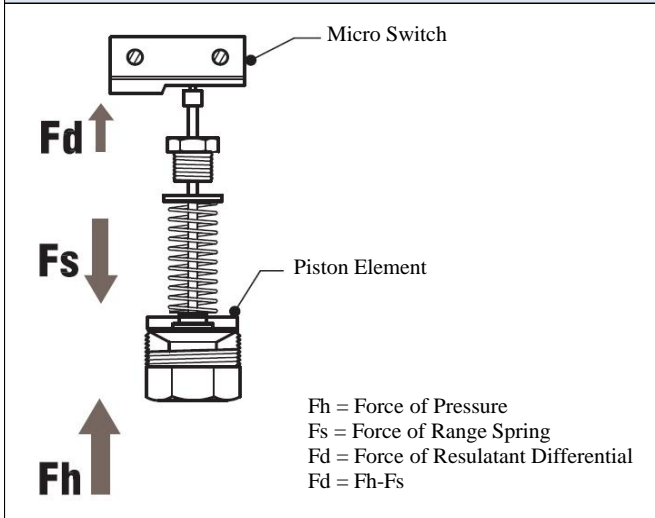
Construction Drawing



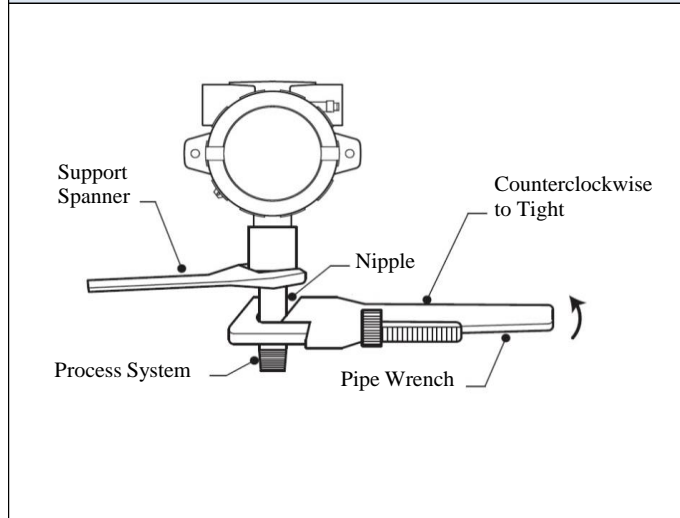
Range Setting Method



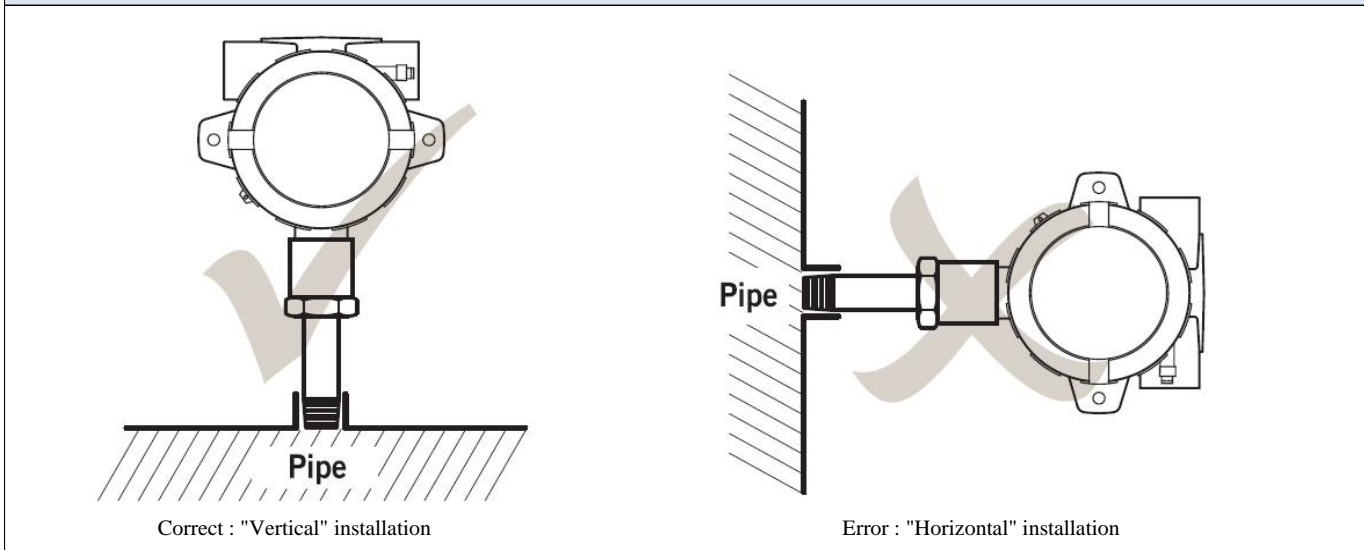
Principle



Process Installed Instruction



Process Installed Instruction



| FLOW | | PRESSURE | | TEMPERATURE | | AC | | DC | | BATTERY | | OUTPUT | | CONTACT | | DISPLAY |

Ordering Information

PS2000X	Model									
	Code	Range	Code	Range	Code	Range				
	10R	10 ~ 100 psi	60R	100 ~ 600 psi	400R	400 ~ 4000 psi				
	20R	35 ~ 200 psi	130R	100 ~ 1300 psi						
	30R	50 ~ 300 psi	240R	300 ~ 2400 psi						
		Code	Wetted Parts Material							
		A	SS316							
		Code	Process Connection	Code	Process Connection					
		1	1/2"NPT Female	5	1/2"PT Female					
		2	1/4"NPT Female	6	1/4"PT Female					
		3	1/2"BSP Female	7	M20 x P1.5 Female					
		4	1/4"BSP Female							
		Code	Conduit Connection							
		E	3/4"NPT Female (standard)							
		F	1/2"NPT Female							
		G	M20 x P1.5 Female							
		Code	Switch Form	Code	Switch Form					
		I	Micro Switch, 1 SPDT	2	Micro Switch, 2 SPDT(1 setting)					
		3a	Gold Contact, 1 SPDT	3b	Gold Contact, 2 SPDT(1 setting)					
		4a	Hermetically Switch, 1 SPDT	4b	Hermetically Switch, 2 SPDT(1 setting)					
		Code	Explosion Proof Type							
		A	Certificate on Housing Only [FM Approval] Class I, Groups A,B,C&D; CLASS II, Groups E,F&G; Class III; NEMA 4X							
		B	Taiwan Explosion Proof Certification Ex d IIB + H2 T6 Gb							
		E	International IECEx Certification Ex db IIB + H2 T6 Gb; Ex tb IIIC T85 °C Db							
		X	Europe Union ATEX Certification II 2 G D Ex db IIB + H2 T6 Gb; II 2 G D Ex tb IIIC T85 °C Db							
		U	UL Certification Class I, Division 1, Groups A,B,C&D; CLASS II, Division 1, Groups E,F&G							
		G	China Explosion Proof Certification Ex d IIB + H2 T6 Gb; Ex tD A21 IP6X T85 °C							
		Code	Set Point							
		□□□	_____ unit							
		Code	Type							
		1	up ON							
		2	down ON							
		Code	Test Cer.							
		Y	Issue.							
		N	None.							
PS2000X		A								Complete Ordering Code

| FLOW | | PRESSURE | | TEMPERATURE | | AC | | DC | | BATTERY | | OUTPUT | | CONTACT | | DISPLAY |