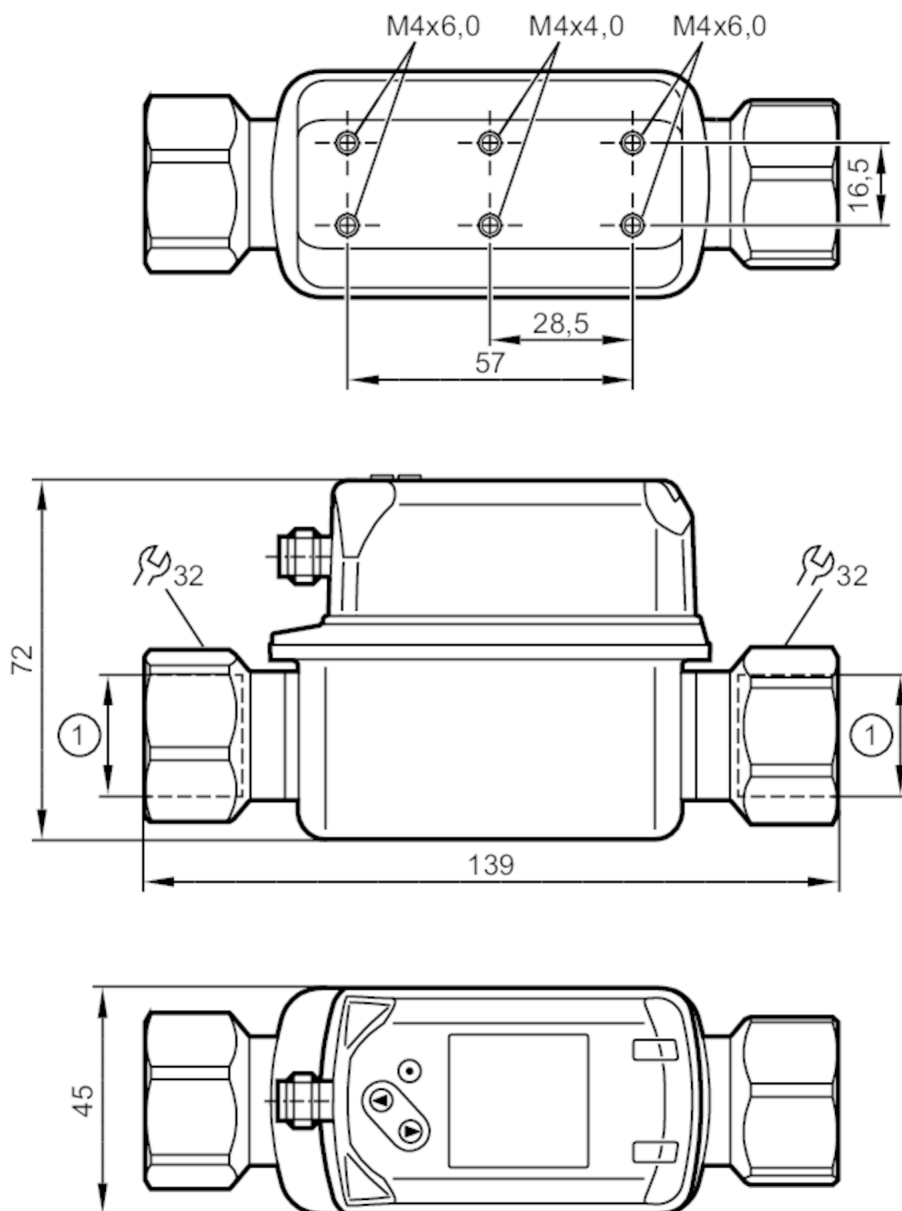


# SV7614



## Vortex flow meter with display

SVN34XXX50KG/US-100



1 3/4" NPT  
DN 20



### Product characteristics

Number of inputs and outputs	Number of analogue outputs: 2	
Measuring range	80...1585 gph	1.3...26.4 gpm
Process connection	threaded connection 3/4" NPT internal thread DN20	

### Application

Special feature	Gold-plated contacts
Application	for industrial applications
Media	water; glycol solutions; coolants
Medium temperature [°F]	14...194

# SV7614



## Vortex flow meter with display

SVN34XXX50KG/US-100

Pressure rating	12 bar	174 psi	1.2 MPa
Note on pressure rating	up to 40 °C		
MAWP (for applications according to CRN) [bar]	4.3		
<b>Electrical data</b>			
Operating voltage [V]	18...30 DC		
Current consumption [mA]	< 30		
Min. insulation resistance [MΩ]	100; (500 V DC)		
Protection class	III		
Reverse polarity protection	yes		
Power-on delay time [s]	< 3		
Measuring principle	Vortex		
<b>Inputs / outputs</b>			
Number of inputs and outputs	Number of analogue outputs: 2		
<b>Outputs</b>			
Total number of outputs	2		
Output signal	analogue signal		
Number of analogue outputs	2		
Analogue current output [mA]	4...20		
Max. load [Ω]	500		
Short-circuit protection	yes		
Overload protection	yes		
<b>Measuring/setting range</b>			
Measuring range	80...1585 gph	1.3...26.4 gpm	
Display range	0...1900 gph	0...31.7 gpm	
Resolution	5 gph	0.1 gpm	
Analogue start point ASP	0...1270 gph	0...21.1 gpm	
Analogue end point AEP	315...1585 gph	5.3...26.4 gpm	
In steps of	5 gph	0.1 gpm	
Measuring dynamics	1:20		
<b>Temperature monitoring</b>			
Measuring range [°F]	14...194		
Display range [°F]	-22...230		
Resolution [°F]	1		
Analogue start point [°F]	14...158		
Analogue end point [°F]	50...194		
In steps of [°F]	1		
<b>Accuracy / deviations</b>			
<b>Flow monitoring</b>			
Accuracy (in the measuring range)	± 2 % MEW; (water)		
Repeatability	± 0,5 % MEW		
<b>Temperature monitoring</b>			
Accuracy [K]	± 1		

# SV7614



## Vortex flow meter with display

SVN34XXX50KG/US-100

Response times	
Flow monitoring	
Response time [s]	1; (dAP = 0)
Damping process value dAP [s]	0...5
Temperature monitoring	
Dynamic response T05 / T09 [s]	T09 = 6
Software / programming	
Parameter setting options	Damping for the analogue output dAA; Display unit
Operating conditions	
Ambient temperature [°F]	32...140
Note on ambient temperature	medium temperature < 176 °F medium temperature < 194 °F: 32...122 °F
Storage temperature [°F]	-4...176
Protection	IP 65; IP 67
Tests / approvals	
EMC	DIN EN 61000-6-2 DIN EN 61000-6-3
Shock resistance	DIN EN 60068-2-27 5 g (11 ms)
Vibration resistance	DIN EN 60068-2-6 with water / 10...50 Hz 1 mm with water / 50...2000 Hz 2 g
MTTF [years]	342
UL approval	UL Approval no. I002
Pressure Equipment Directive	Sound engineering practice; can be used for group 2 fluids; group 1 fluids on request
Mechanical data	
Weight [g]	514.5
Housing	rectangular
Dimensions [mm]	139 x 45 x 72
Materials	stainless steel (316L/1.4404); PC; PBT+PC-GF30; PPS; TPE-U
Materials (wetted parts)	stainless steel (316L/1.4404); ETFE; PA 6T; PPS; FKM
Tightening torque [Nm]	30
Process connection	threaded connection 3/4" NPT internal thread DN20
Displays / operating elements	
Display	colour display 1,44", 128 x 128 pixels 2 x LED, yellow
Remarks	
Remarks	MW = measured value MEW = Final value of the measuring range
Pack quantity	1 pcs.

# SV7614



## Vortex flow meter with display

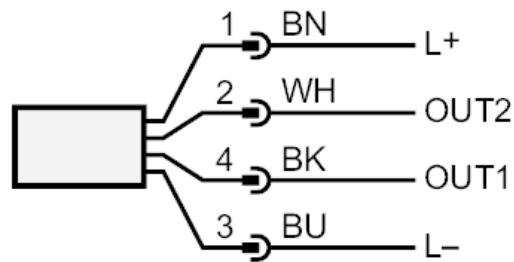
SVN34XXX50KG/US-100

### Electrical connection

Connector: 1 x M12; coding: A; Contacts: gold-plated



### Connection



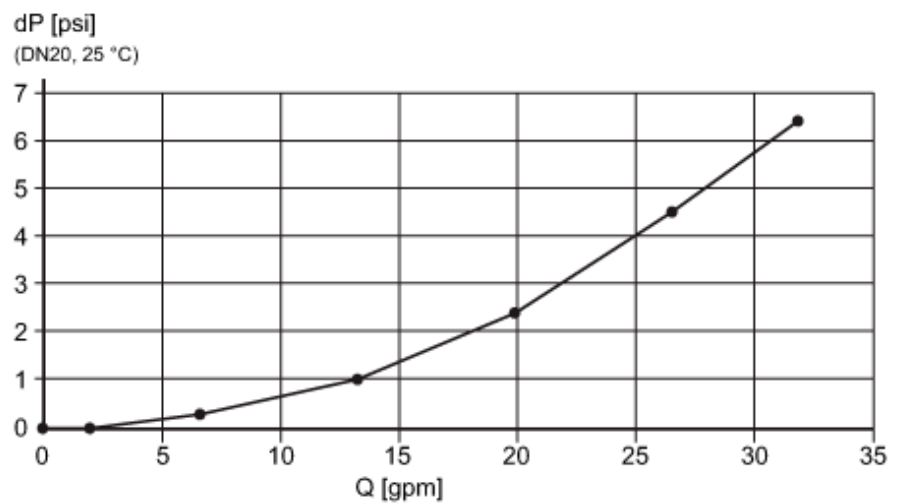
OUT1: analogue output Temperature monitoring  
OUT2: analogue output volumetric flow quantity monitoring  
colours to DIN EN 60947-5-2

Core colours :

BK = black  
BN = brown  
BU = blue  
WH = white

### Diagrams and graphs

Pressure loss



dP Pressure loss

Q volumetric flow quantity

# SV7614



## Vortex flow meter with display

SVN34XXX50KG/US-100

pressure rating (bar)

