

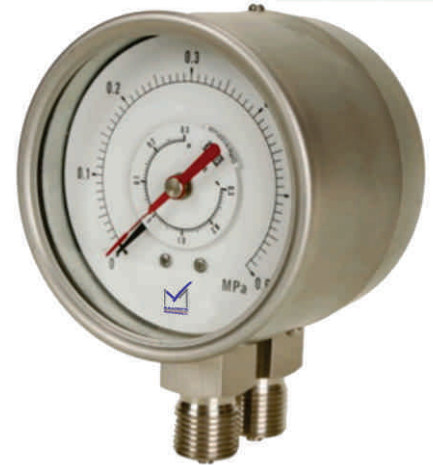
Differential Pressure Gauge

Double bourdon tube type

Model: DP5

Applications

- For gaseous and liquid aggressive media that are not highly viscous or crystallising, also in aggressive ambience
- Process industry: Chemical/petro chemical, power stations, food and beverage, offshore oil rigs, pulp and paper, environmental technology, machine building and general plant construction

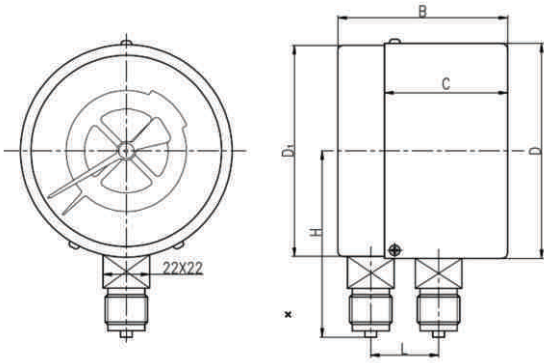


Special features

The Instrument has 2 independent measuring systems .The measured pressure deflects the elastic elements ,displacements then take place to actuate gear mechanisms through linkages to carry 2 pointers traveling over instrument dial ,an auxiliary dial shows the pressure difference .

Description

- | | |
|---------------------------|---|
| ■ Accuracy class | NS 100, 160: 1.6,1% (option) |
| ■ Pressure element | Stainless steel 316L
Hastelloy, Monel, Tantalum(option) |
| ■ Process connection | Stainless steel 316L bottom
NS 100, 160: ½ NPT, BSP (option) |
| ■ Socket & connection | 316L st. steel, option treated to comply with NACE MR0175&
MR 0103 standards |
| ■ Window | Laminated safety glass Anti-glare & Anti-static |
| ■ Permissible temperature | Ambient: -20 ... +60 °C
Medium: +100 °C |
| ■ Movement | Stainless steel |
| ■ Pointer | Aluminium, black graduation on white background |
| ■ Dial | Aluminium, white, black lettering, |
| ■ Protection | IP45 |
| ■ Range | -1...0 to 0...100 bar
Vacuum & compound ranges
are available. single or double scale dials. |
| ■ Static pressure | Safe upto 100 bar not depending on scale range |
| ■ Case Gasket | Neoprene rubber |
| ■ Joint | Tig Argon Ark welding |



NS	D	D1	B	C	H	L
100mm	101.00	99.00	80.00	58.00	87.50	32.00
160mm	159.00	157.00	82.00	76.00	146.00	32.00

DP5 Differential Pressure Gauge

ORDERING CODE	Example:	DP5	4	T	2	L	S	AT	WA	Note
Dial Size										
4 - 100mm(4")			4							
6 - 160mm(6")										
Process Connection Type										
T - Bottom				T						
Process Connection Sizes										
2 - ½ NPT Male NS100,160 Dial					2					
4 - G ½ Male NS100,160 Dial										
6 - Customer										
Case Design										
D - Dry						D				
Tube and Process Connection Material										
S - 316L Stainless steel							S			
M - Monel® 400										
H - Hastelloy										
C - Customer										
Accuracy										
AT - 1.6% (std.)								AT		
AC - 1%										
Options										
SC - Single scale										
DS - Dual scales										
YW - 316L Stainless steel case										
SH - Red set hand, stationary (dry case only)										
BF - Back flange for wall mounting										
MF - Front flange for panel mounting										
CC - Calibration certificate										
NH - Stainless steel tag wired to case										
AT - ATEX										
WA - One year warranty									WA	
Other										



Address: 7191 Yonge street, Toronto, Canada

Tel: +16472221281(5 line)

Web: www.madecotech.com

Email: Info@madecotech.com