

2 Valve manifolds

Model: MD2V

Applications

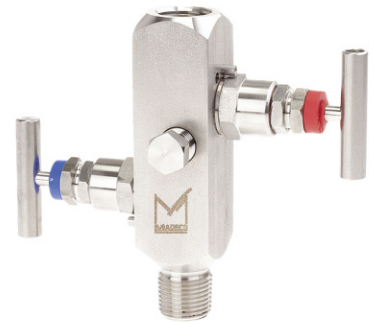
- Shut off and vent pressure measuring instruments
- For gaseous and liquid aggressive media that are not highly viscous or crystallising, also in aggressive environments
- Process industry: Chemical/petro chemical, power stations, food and beverage, offshore oil rigs, pulp and paper, environmental technology, machine building and general plant construction

Special features

- Helium leak test done for zero leakage
- PTFE or graphoil packing
- Working pressure 6000 psi and 10000 psi
- Working temperature 538°C (graphoil packing)

Description

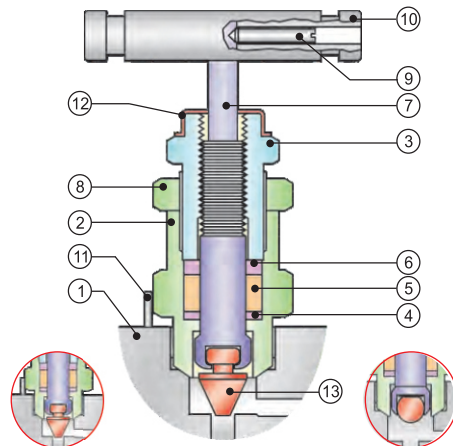
- | | |
|--------------------------------|---|
| ■ body material | Stainless steel 304, Stainless steel 316L, Hastelloy, Monel, Tantalum(option) |
| ■ Trim material | Stainless steel 316L, Hastelloy, Monel, PVC, PVDF, PP, Tantalum(option) |
| ■ vent material | Stainless steel 316L, Hastelloy, Monel, PVC, PVDF, PP, Tantalum, |
| ■ Max. process pressure | 6000 psi & 10000 psi |
| ■ Process connection | 1/4", 1/2", 3/4", 1", female NPT or BSP
1/2 male NPT or BSP, Flange type |
| ■ Temperature | Max. Temperature PTFE 260°C (500°F)
Max. Temperature Graphoil 538°C (1000°F) |



Material of Construction

Hard Seat

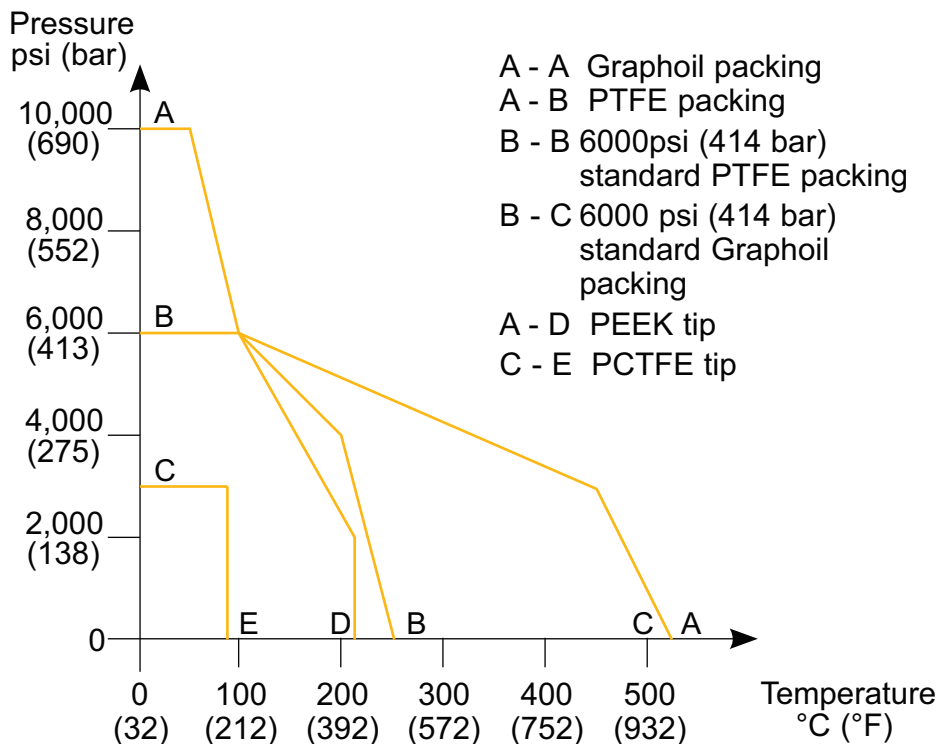
Sr. No.	Part
1.	Body
2.	Gland Body
3.	Gland Retainer
4.	Washer
5.	Packing
6.	Packing Washer
7.	Spindle
8.	Lock Nut
9.	Grub Screw
10.	Handle
11.	Lock Pin
12.	Dust Cap
13.	Tip



Non Rotating Vee Tip

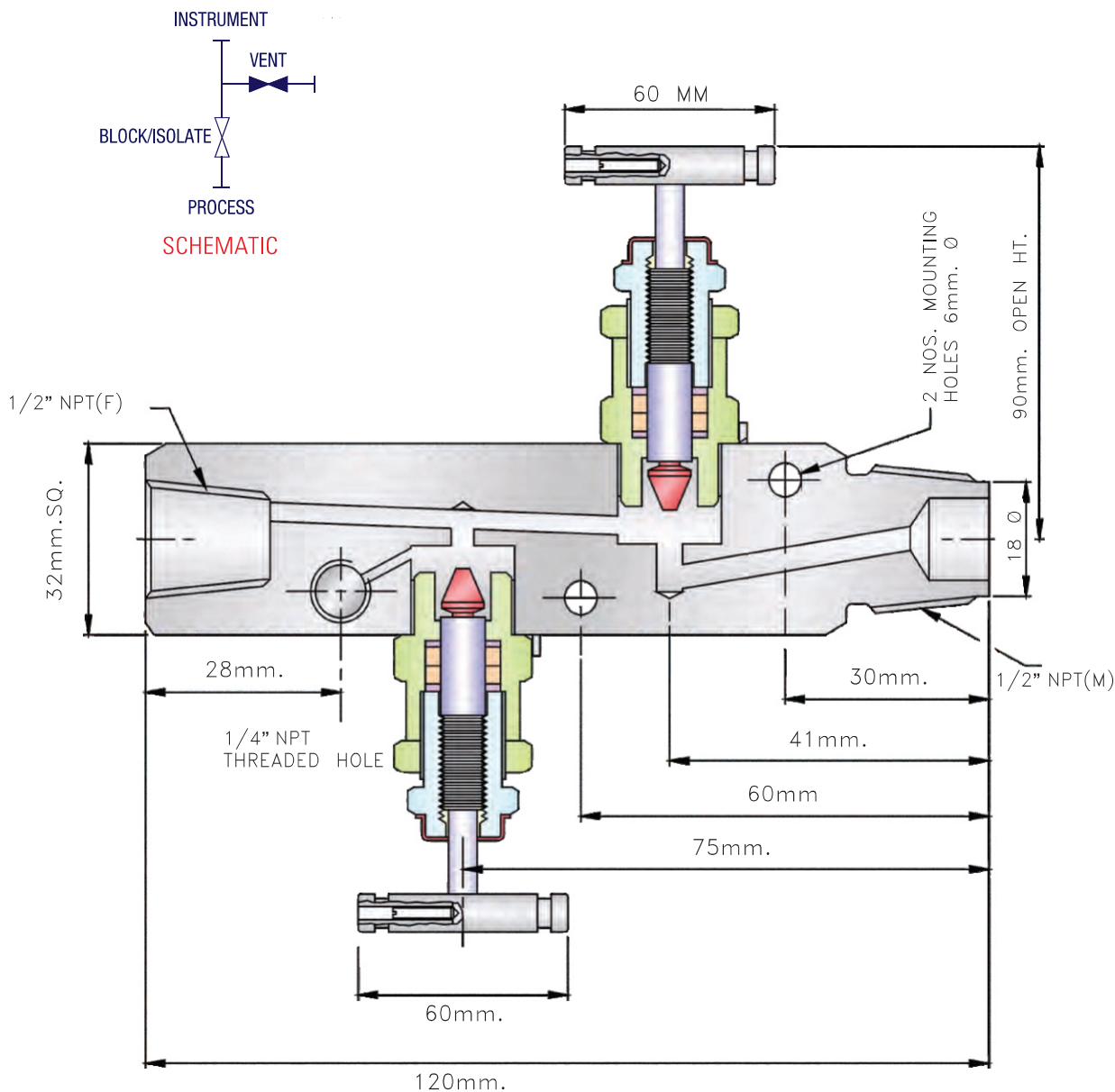
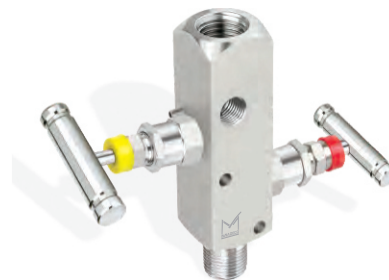
Non Rotating Ball Tip

Pressure vs temperature



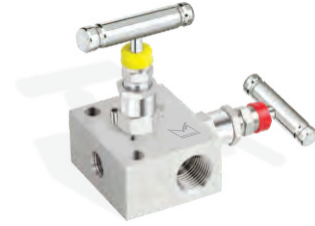
2 Valve manifolds remote mount square MD2V1

MADECO 2 Valve Manifold Remote Mount
 Flange to Flange design for separate mounting, connecting
 system impulse lines and transmitters, having simple two
 valve configuration, which allows for easy block, bleed and
 calibration of a static pressure transmitter or gauge.

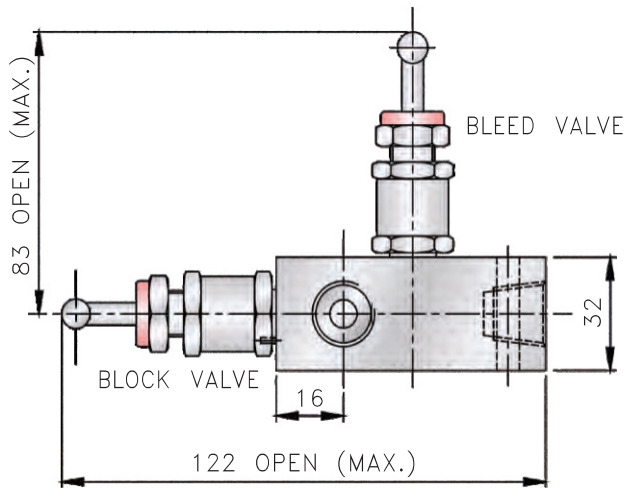


2 Valve manifolds remote mount flat MD2V2

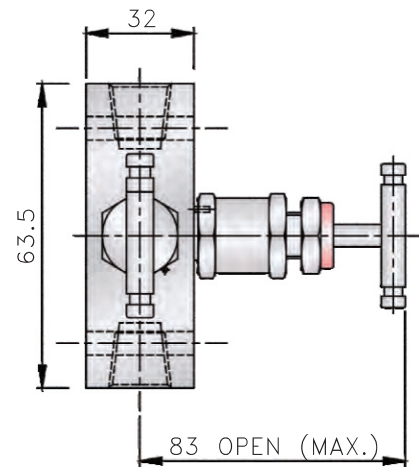
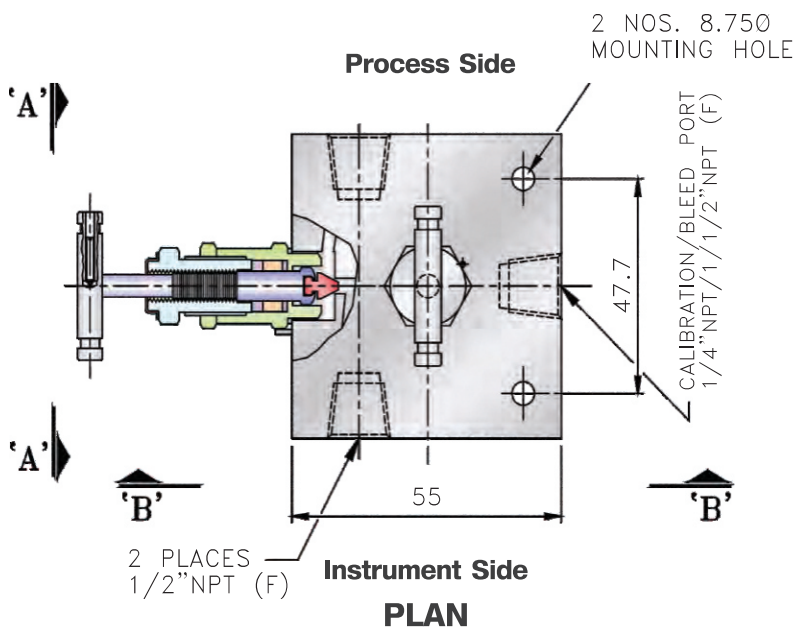
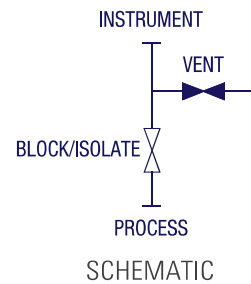
MADECO 2 Valve Manifold Pipe to Pipe design for separate mounting, connecting system impulse lines and transmitters, having simple two valve configuration, which allows for easy block, bleed and calibration of a static pressure transmitter or gauge.



Dimensions



View "BB"



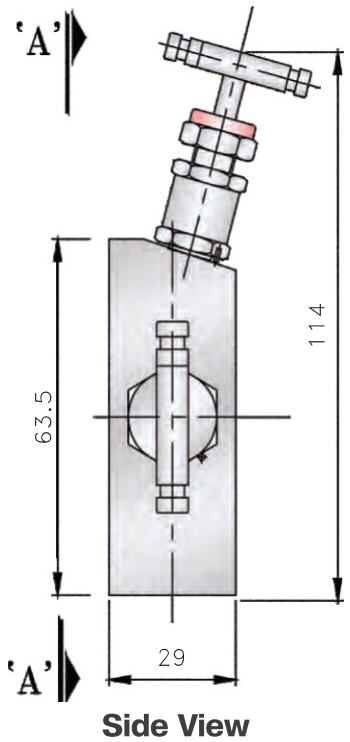
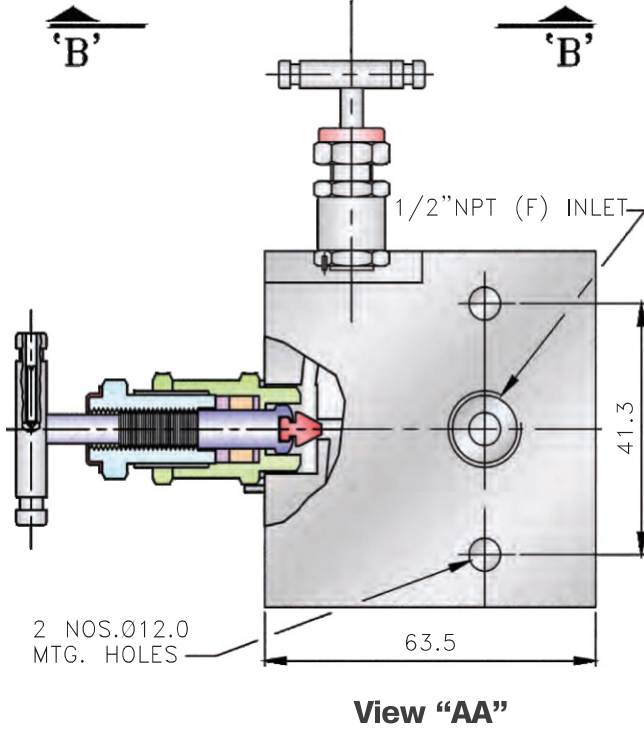
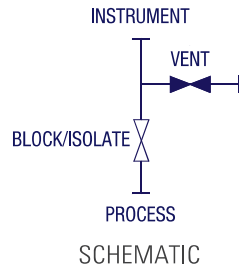
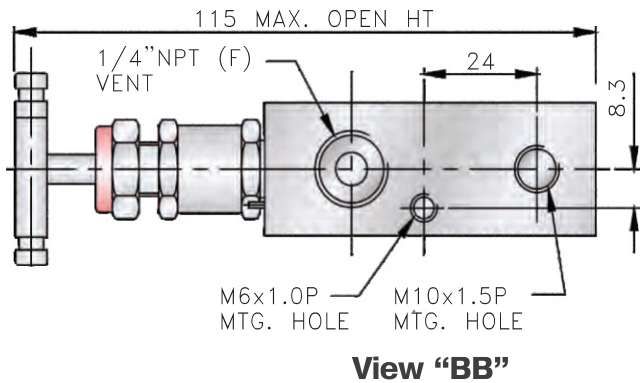
View "AA"

2 Valve manifolds direct mount MD2V3

MADECO 2 Valve Manifold Pipe to Flange design for direct mounting, connecting system impulse lines and transmitters, having simple two valve configuration, which allows for easy block, bleed and calibration of a static pressure transmitter or gauge.

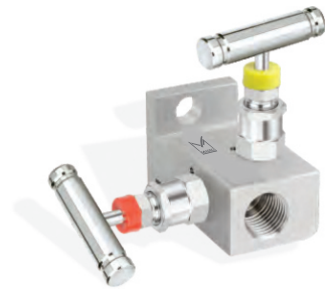


Dimensions

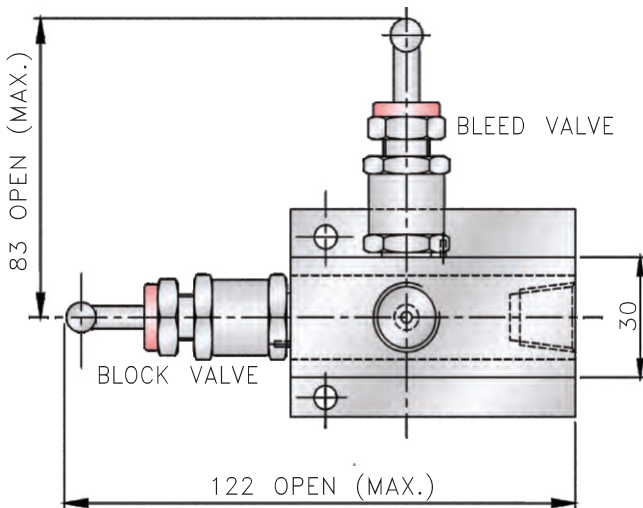


2 Valve manifolds side flanged direct mount MD2V4

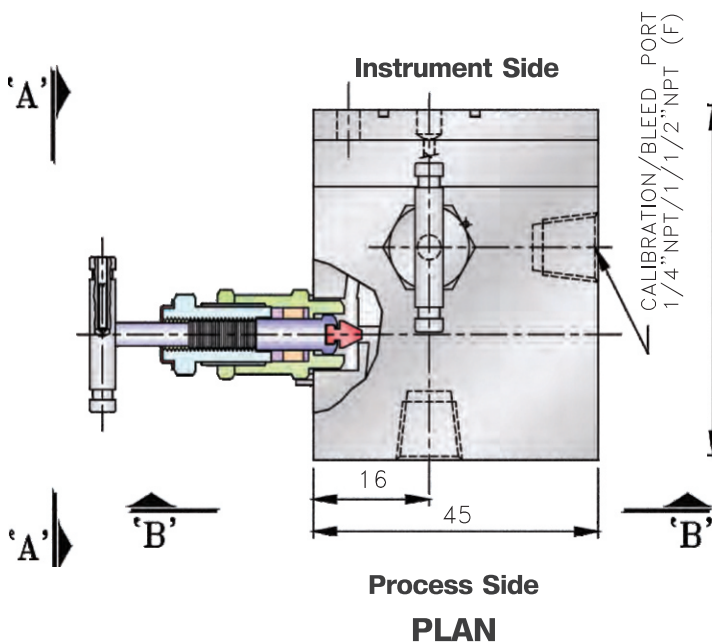
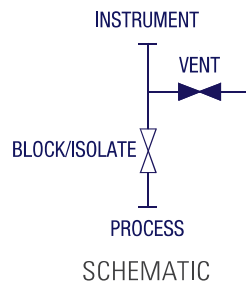
MADECO 2 Valve Manifold Pipe to Flange design for separate mounting, connecting system impulse lines and transmitters, having simple two valve configuration, which allows for easy block, bleed and calibration of a static pressure transmitter or gauge.



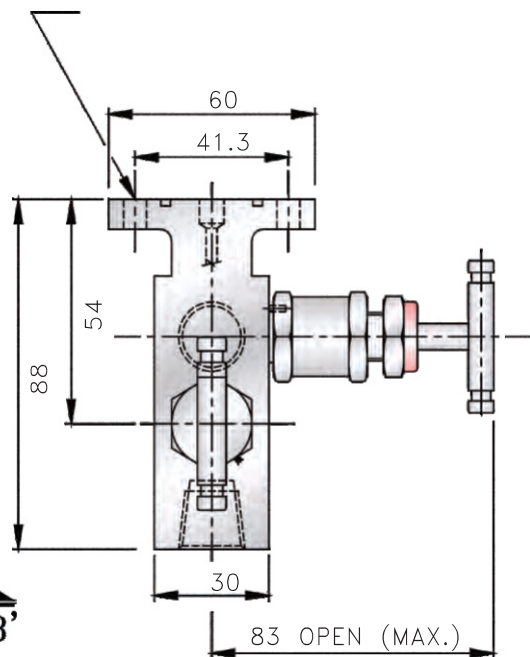
Dimensions



View "BB"



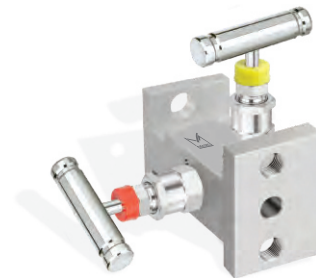
**Process Side
PLAN**



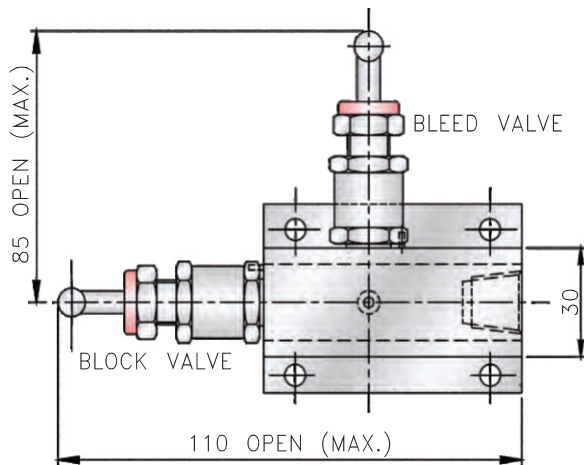
View "AA"

2 Valve manifolds flange to flange MD2V5

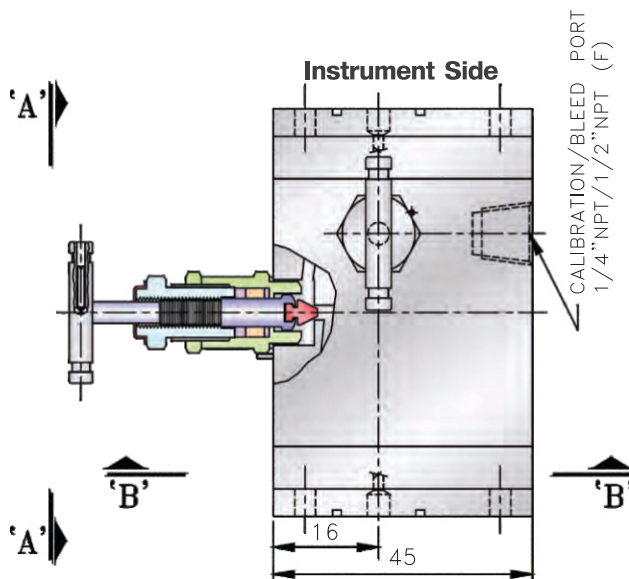
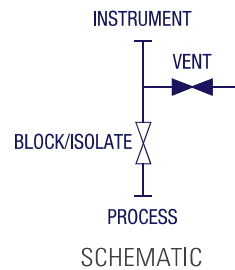
MADECO 2 Valve Manifold Flange to Flange design for separate mounting, connecting system impulse lines and transmitters, having simple two valve configuration, which allows for easy block, bleed and calibration of a static pressure transmitter or gauge.



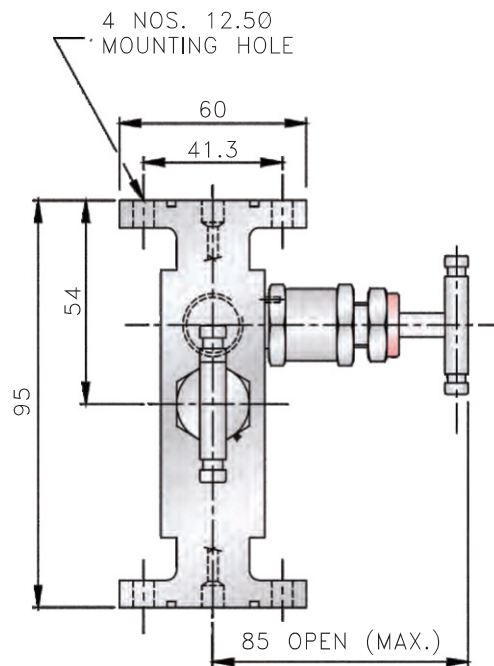
Dimensions



View "BB"



**Process Side
PLAN**



View "AA"



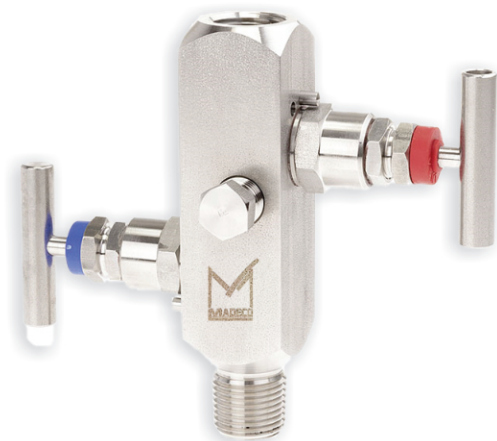
MD2V 2 Valve manifolds

ORDERING CODE	Example:	MD2V	4	2	3	M	S
Valve Type							
1 - Remote mount squar							
2 - Remote mount Flat							
3 - Remote mount							
4 - Side flange direct mount			4				
5 - flange to flange							
Process Connection Input							
1 - ¼" male NPT							
2 - ¼" female NPT				2			
3 - ½" male NPT							
4 - ½" female NPT							
5 - ¼" female G							
6 - ¼" male G							
7 - ½" female G							
8 - ½" male G							
9 - Flange (size and class shall be specified by customer)							
10 - Direct mount (size of seat oring shall be specified by customer)							
11 - Customer							
Instrument connection							
1 - ¼" male NPT							
2 - ¼" female NPT							
3 - ½" male NPT					3		
4 - ½" female NPT							
5 - ¼" female G							
6 - ¼" male G							
7 - ½" female G							
8 - ½" male G							
9 - Flange (size and class shall be specified by customer)							
10 - Direct mount (size of seat oring shall be specified by customer)							
11 - Customer							
Body Material							
S - Stainless steel 304							
F - Stainless steel316 L							
M - Monel 400						M	
H - Hastelloy							
T - Titanium							
L - Tantalum							
I - Inconel 600							
C - Customer							
Trim and Seat Material							
S - Stainless steel 304							S
F - Stainless steel316 L							
M - Monel 400							
H - Hastelloy							
T - Titanium							
L - Tantalum							
I - Inconel 600							
C - Customer							



MD2V 2 Valve manifolds

ORDERING CODE	Example:	MD2V	G	2	OT	Note
Sealing Ring Embedded						
P - PTFE (260°C)						
G - Graphoil (538°C)			G			
Pressure Rating						
1 - 6000 psi						
2 - 10000 psi				2		
Option						
OT - Helium leak test					OT	
OC - Calibration test certificate						
OM - Material test certificate						
OX - Cleaning for oxygen service						
ON - NACE MR 0175/MR 0103						
TA - TAB plate						
LK - T-bar handle locking						
WA - One year guarantee						
Other						





Address: 7191 Yonge street, Toronto, Canada

Tel: +16472221281(5 line)

Web: www.madecotech.com

Email: Info@madecotech.com