

## 3Valve manifolds Model: MD3V

### Applications

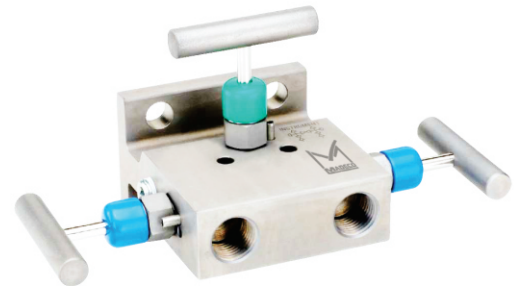
- Shut off and vent pressure measuring instruments
- For gaseous and liquid aggressive media that are not highly viscous or crystallising, also in aggressive environments
- Process industry: Chemical/petro chemical, power stations, food and beverage, offshore oil rigs, pulp and paper, environmental technology, machine building and general plant construction

### Special features

- Helium leak test done for zero leakage
- PTFE or graphoil packing
- Working pressure 6000 psi and 10000 psi
- Working temperature 538°C (graphoil packing)
- Instrument flange mount and remote mount
- For mounting on differential pressure transmitters
- Consists of two isolation valves and one equalizing valve

### Description

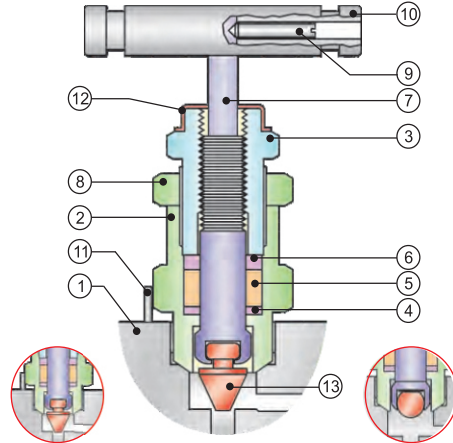
- |                                |   |
|--------------------------------|---|
| ■ <b>body material</b>         | Stainless steel 304, Stainless steel 316L<br>Hastelloy, Monel, Tantalum(option) |
| ■ <b>Trim material</b>         | Stainless steel 316L, Hastelloy, Monel<br>PVC, PVDF, PP, Tantalum(option)       |
| ■ <b>vent material</b>         | Stainless steel 316L, Hastelloy, Monel<br>PVC, PVDF, PP, Tantalum,              |
| ■ <b>Max. process pressure</b> | 6000 psi & 10000 psi  |
| ■ <b>Process connection</b>    | 1/4", 1/2", 3/4", 1", female NPT or BSP<br>1/2 male NPT or BSP, Flange type     |
| ■ <b>Temperature</b>           | Max. Temperature PTFE 260°C (500°F)<br>Max. Temperature Graphoil 538°C (1000°F) |



## Material of Construction

### Hard Seat

Sr. No.	Part
1.	Body
2.	Gland Body
3.	Gland Retainer
4.	Washer
5.	Packing
6.	Packing Washer
7.	Spindle
8.	Lock Nut
9.	Grub Screw
10.	Handle
11.	Lock Pin
12.	Dust Cap
13.	Tip

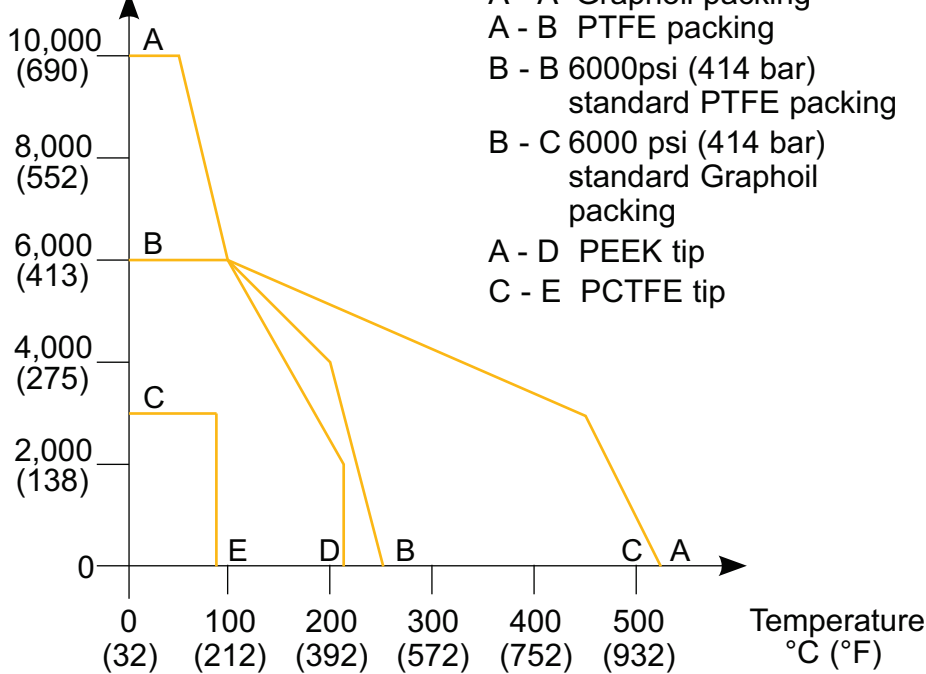


Non Rotating Vee Tip

Non Rotating Ball Tip

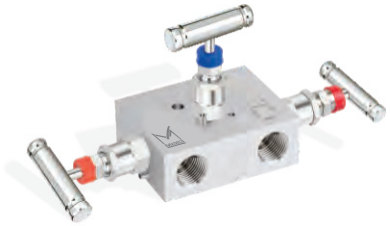
## Pressure vs temperature

Pressure  
psi (bar)

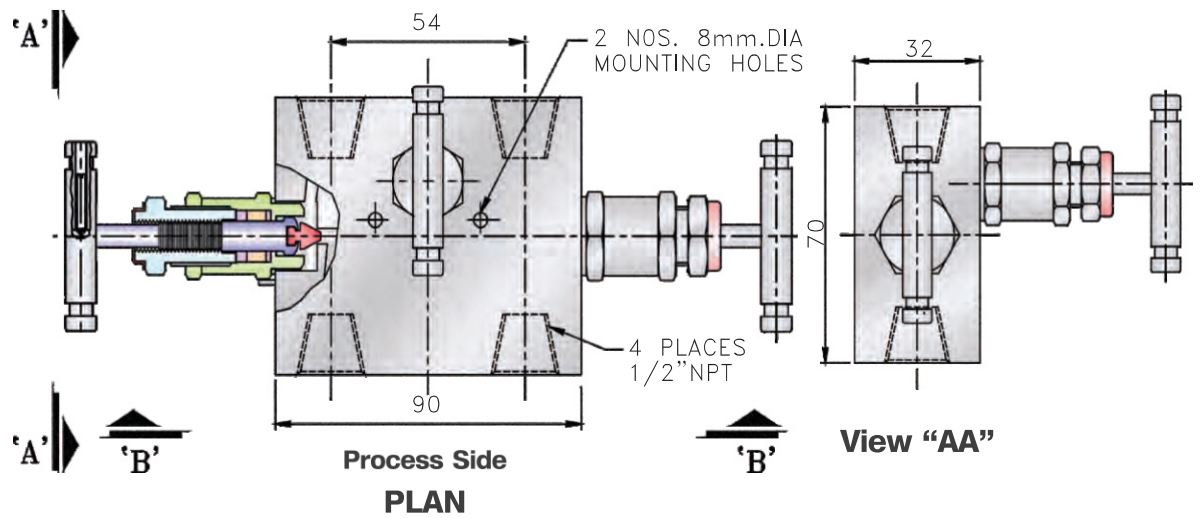
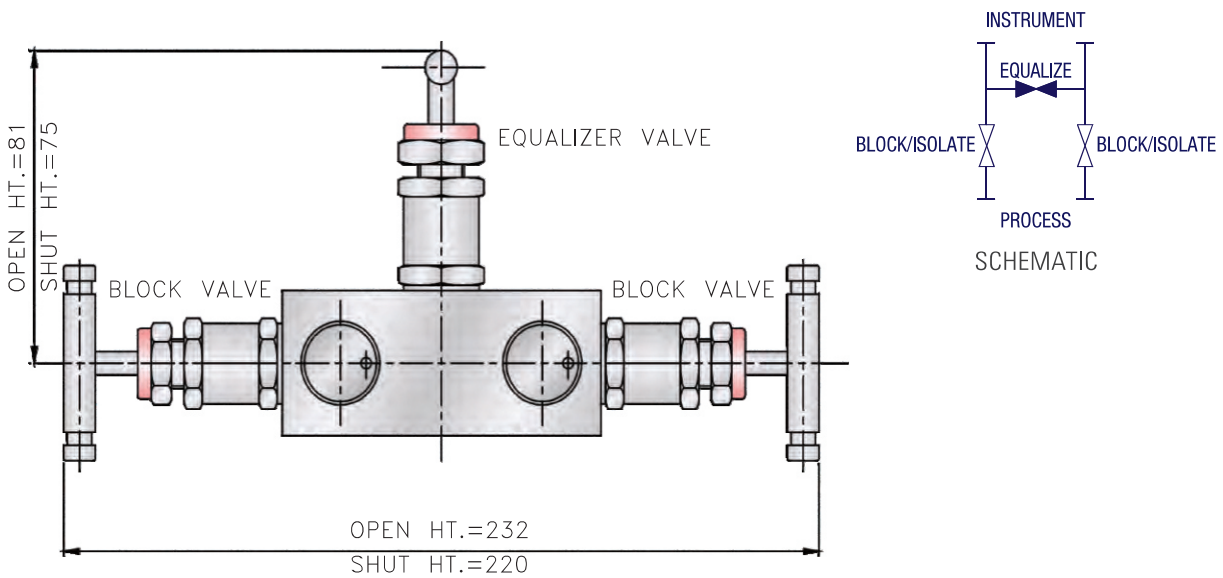


## 3 Valve manifolds-Pipe to Pipe MD3V1

MADECO 3 Valve Manifold Pipe to Pipe design for connecting system impulse lines and transmitters. This valve consist of 1/2" NPT Female connections on 54mm (2-1/8") centers and one equalizer valve and two block valve

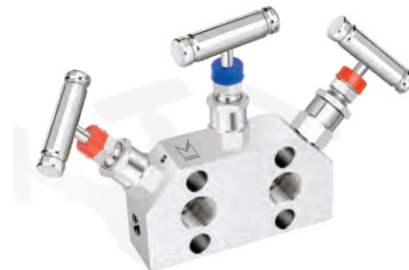


## Dimensions

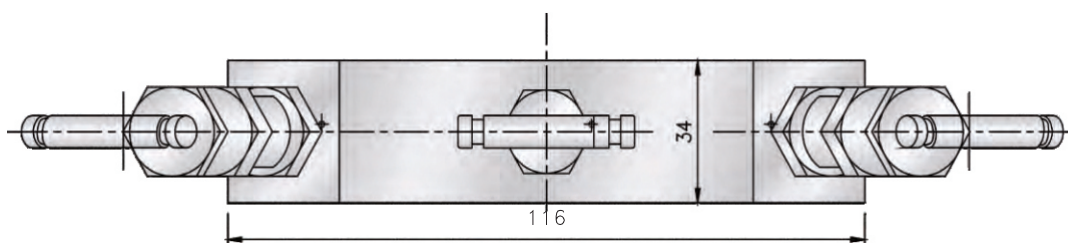


## 3 Valve manifolds - Direct Mount MD3V2

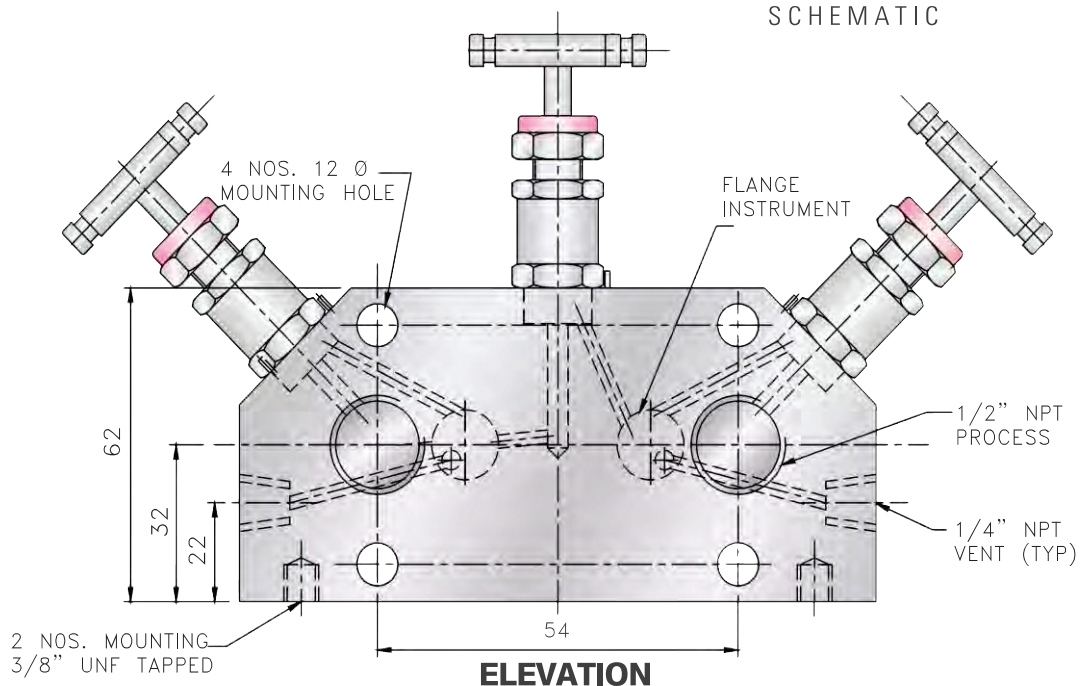
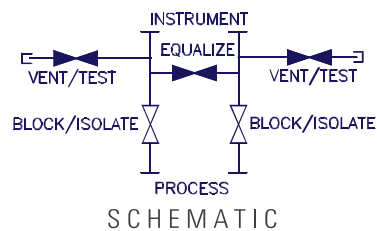
MADECO 3 Valve Manifold Pipe to Flange, base mount connection design for connecting system impulse lines and transmitters. This valve consist of 1/2" NPT female connections on 54mm (2-1/8") centers and of one equalizer valve and two block valves.



## Dimensions



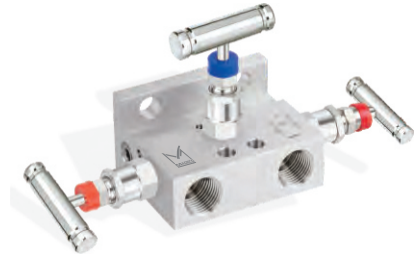
**PLAN**



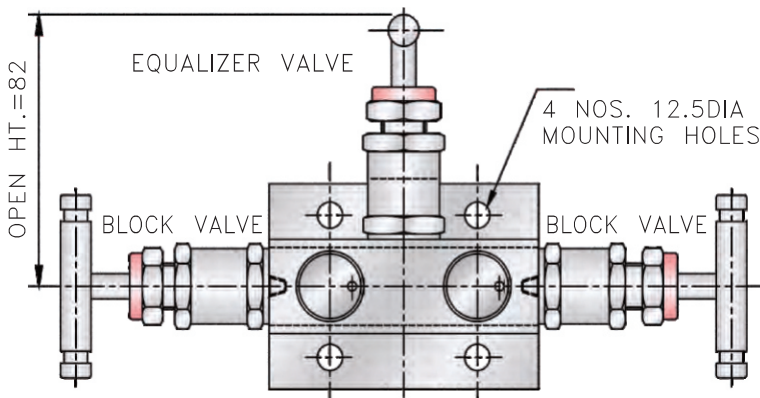
**ELEVATION**

## 3 Valve manifolds Pipe to Flange MD3V3

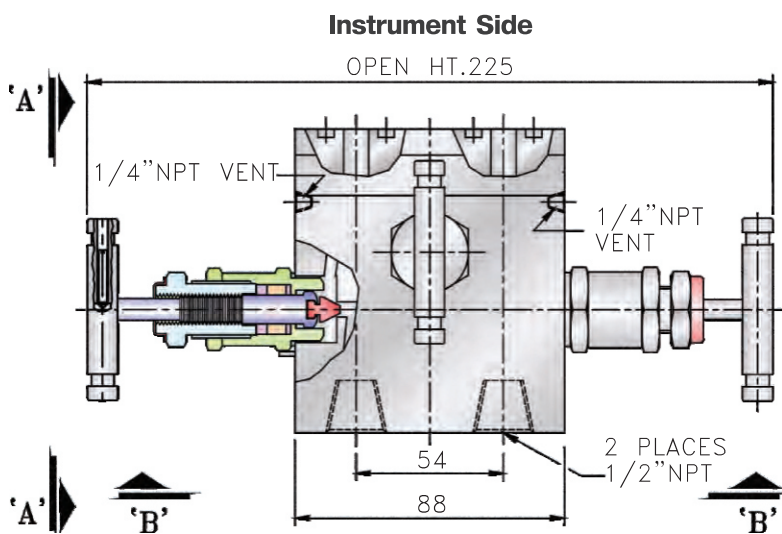
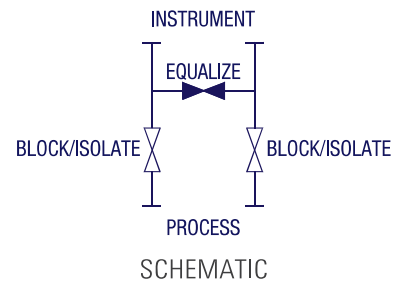
MADECO 3 Valve Manifold Pipe to Flange design for connecting system impulse lines and transmitters. This valve consist of 1/2" NPT female connections on 54mm (2-1/8") centers and of one equalizer valve and two block valves. 1/4" NPT purge connections (2) optional



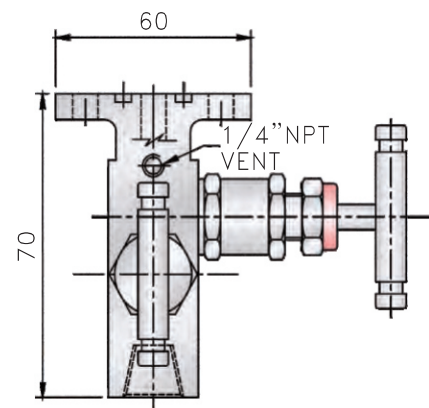
## Dimensions



**View "BB"**



**Process Side  
PLAN**



**View "AA"**



**MD3V 3 Valve manifolds**

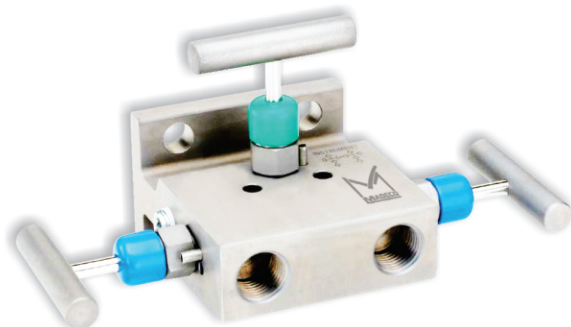
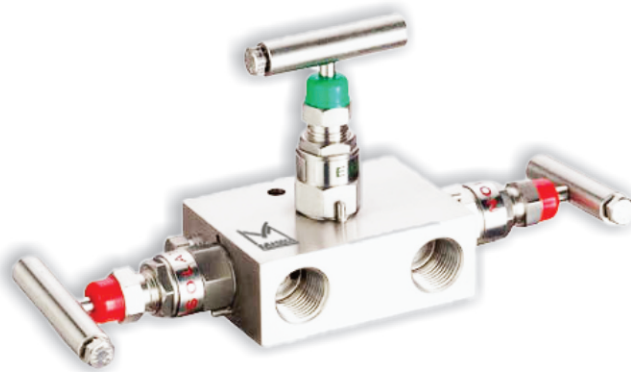
ORDERING CODE	Example:	MD3V	4	2	3	M	S
<b>Valve Type</b>							
1 - Pipe to pipe							
2 - Direct mount							
3 - Direct to flange							
4 - Side flange direct mount			4				
5 - flange to flange							
<b>Process Connection Input</b>							
1 - 1/4" male NPT							
2 - 1/4" female NPT				2			
3 - 1/2" male NPT							
4 - 1/2" female NPT							
5 - 1/4" female G							
6 - 1/4" male G							
7 - 1/2" female G							
8 - 1/2" male G							
9 - Flange (size and class shall be specified by customer)							
10 - Direct mount (size of seat oring shall be specified by customer)							
11 - Customer							
<b>Instrument connection</b>							
1 - 1/4" male NPT							
2 - 1/4" female NPT							
3 - 1/2" male NPT					3		
4 - 1/2" female NPT							
5 - 1/4" female G							
6 - 1/4" male G							
7 - 1/2" female G							
8 - 1/2" male G							
9 - Flange (size and class shall be specified by customer)							
10 - Direct mount (size of seat oring shall be specified by customer)							
11 - Customer							
<b>Body Material</b>							
S - Stainless steel 304							
F - Stainless steel316 L							
M - Monel 400						M	
H - Hastelloy							
T - Titanium							
L - Tantalum							
I - Inconel 600							
C - Customer							
<b>Trim and Seat Material</b>							
S - Stainless steel 304							S
F - Stainless steel316 L							
M - Monel 400							
H - Hastelloy							
T - Titanium							
L - Tantalum							
I - Inconel 600							
C - Customer							





**MD3V 3 Valve manifolds**

ORDERING CODE	Example: MD3V	G	2	OT	Note
Sealing Ring Embedded					
P - PTFE (260°C)					
G - Graphoil (538°C)		G			
Pressure Rating					
1 - 6000 psi					
2 - 10000 psi			2		
Option					
OT - Helium leak test				OT	
OC - Calibration test certificate					
OM - Material test certificate					
OX - Cleaning for oxygen service					
ON - NACE MR 0175/MR 0103					
TA - TAB plate					
LK - T-bar handle locking					
WA - One year guarantee					
Other					





Address: 7191 Yonge street, Toronto, Canada

Tel: +16472221281(5 line)

Web: [www.madecotech.com](http://www.madecotech.com)

Email: [Info@madecotech.com](mailto:Info@madecotech.com)