

Pressure Transmitter with Flameproof Enclosure for Applications in Explosion-Protected areas Model: MD5E

Applications

- For gaseous and liquid aggressive media that are not highly viscous or crystallising, also in aggressive ambience
- Critical industrial application: Process automation, Compressor control hydraulic systems, Engine monitoring, Pump control, Pneumatics, Presses Refrigeration equipment, Machine tools
- Borehole monitoring
- Gas compressors
- Drilling platforms and pipelines

Special features

- **Diffused silicon and high accuracy sensor**
- ATEX and IECEx approved as “flameproof enclosure” for II 2G Ex db IIC T6...T1 Gb
- 0.5% accuracy class
- Different output signals: 4 ... 20mA, 0 ... 10VDC 1...5VDC and other
- ST.steel housing & process connection
- Absolute or gauge pressure
- Ranges vacuum up to 2000 bar
- Long service life and great stability
- Low-power version available as an option
- Oil resistance cable

Description

- **Accuracy class** 0.5%
- **for instruments per ATEX and IECEx** Ambient and medium:
T6: -40 ... +60 °C T6: -40 ... +140 °F
T5: -40 ... +75 °C T5: -40 ... +167 °F
T4: -40 ... +102 °C T4: -40 ... +215 °F
Storage:
-40 ... +102 °C -40 ... +215 °F
- **Explosion protection** ATEX and IECEx
II 2G Ex db IIC T6...T1 Gb
Ex db IIC T6...T1 Gb
- **Pressure element** Stainless steel 316
Hastelloy, Monel, Tantalum(option)
- **Process connection** Stainless steel 304, Stainless steel 316 L
- **Operating temperature** -20 ... +80°C
- **Storage temperature** -40 ... +120°C
- **temperature coefficient zero & span** ±0.03%F.S/°C (≤100KPa) ±0.2%F.S/°C (>100KPa)
- **Long stability** ±0.1%F.S/year (typical) ±0.2%F.S/year (Max.)
- **Pressure type** Gauge, absolute ,sealed gauge
- **Proof pressure** ≤1.5X rated pressure



■ Protection	NBR-FPM1FKM-EPDM
■ Protection	IP65/67
■ Power supply	12 - 36VDC, 5VDC
■ Output signal	4 ... 20mA, 0.5 ... 4.5VDC, 1 ... 5VDC, 1 ... 10VDC
■ Insulation resistance	100MΩ, 100VDC
■ Pressure port	M20×1.5, G1/4 or customize
■ Housing material	1Cr18Ni9Ti stainless steel-SS316L-SS304
■ Diaphragm material	316L
■ O-ring	Fluororubber
■ Cable	Polyethylene/Costumize
■ shock	50g /11ms

- They feature an exceptionally high resistance to vibration, pressure spikes and moisture ingress. Furthermore, these pressure transmitters fulfil IP67 (NEMA 4x) ingress protection.
- The pressure transmitters are approved as “explosionproof” and flame proof II 2G Ex db IIC T6...T1 Gb to ATEX and IECEx.
- These pressure transmitters can be delivered with various analogue signals from 4 ... 20 mA to a low-power version with DC 1 ... 5 V.

MD5E Pressure Transmitter

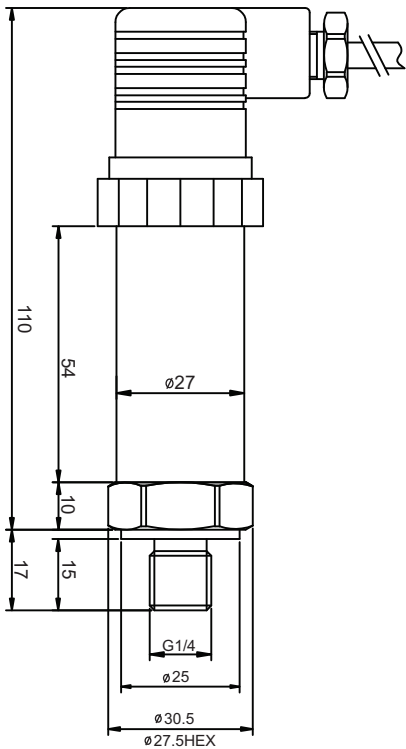
ORDERING CODE	Example: MD5E	4	10P	D1	S1	J1
Electric Connection						
4 - Cable outlet(1.5m standard)		4				
5 - Circular connector M12×1(4pin)						
6 - Bayonet connector(6pin)						
7 - Mini DIN						
8 - Big DIN						
9 - Customer						
Pressure Range						
xxx - Measurement range -1 ... 0 to 2000bar			10			
P - Psi			P			
B - Bar						
C - Customer						
Power Supply						
D1 - 24VDC				D1		
D2 - 250VDC						
C - Customer						
Output Signal						
S1 - 4 ... 20 mA DC					S1	
S2 - 1 ... 5 VDC low power						
S3 - 0 ... 5 VDC low power						
S4 - 0 ... 10 VDC						
S5 - 0 ... 20 mA DC						
S6 - 0 ... 10 VDC						
S7 - 0.5 ... 4.5 VDC						
C - Customer						
Process Connection Size						
J1 - G1/4						J1
J2 - G1/2male						
J3 - M20×1.5 male						
J4 - 7/16 - 20UNF male						
J5 - 7/16 - 20UNF female						
J6 - 1/4 NPT male						
J7 - 1/4 NPT female						

MD5E Pressure Transmitter

ORDERING CODE	Example: MD5E	A	S	N	DH	NOTE
Pressure Type						
G - Gauge pressure						
A - Absolute pressure		A				
S - Sealed pressure						
Process Connection Material						
L - 304 Stainless steel						
S - 316L Stainless steel			S			
M - Monel® 400						
H - Hastelloy						
C - Customer						
Sealing						
N - NBR				N		
F - FPM/FKM						
E - EPDM						
Option						
YW -316L Stainless steel housing						
OS - Overload stop						
CO - Cooling element for high temp. applications						
DS - Diaphragm seals for sanitary						
IN - Local indicator					DH	
DH - Diaphragm seals for high viscous or crystallising media						
CC - Calibration certificate						
PD - Pulsation dampener						
IP - IP 68 housing						
AT - ATEX						
WA - One year warranty						
Other						

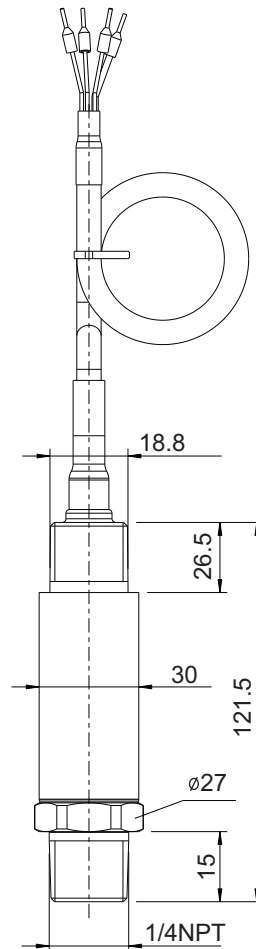
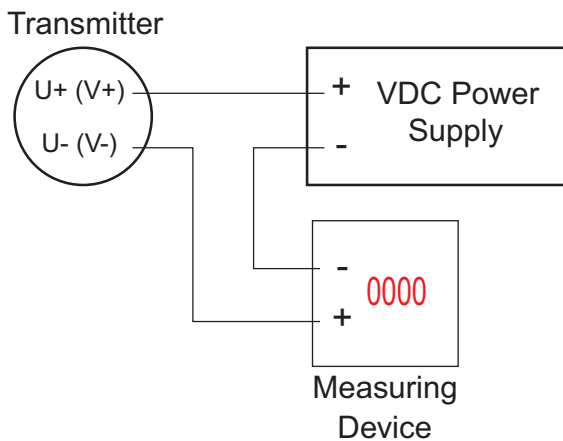


Dimension



MD5E8

2-Wire Configuration



MD5E4

3-Wire Configuration

3 Wire and low power configuration			
		2-wire	3-wire
	U+	red	red
	U-	yellow	yellow
	S+	-	blue
	Shield	Shield connected to case	



Address: 7191 Yonge street, Toronto, Canada

Tel: +16472221281(5 line)

Web: www.madecotech.com

Email: Info@madecotech.com