

Melt Pressure Transmitter

MODEL: MDCT5

Description

MDCT5 Series Melt Pressure Transducer (Flexible stem & High accuracy) comes with thermocouple, it can measure the pressure and temperature in one point. This series adopts special construction and excellent alloy elastic membrane to reduce the thermal draft and improve the accuracy. Zero & full span can be adjustable, amplified signal can be connected with PLC, which is the international standard. It is suitable for pressure measuring and controlling in melt fluid medium, such as the plastic & polymer in the process equipments.

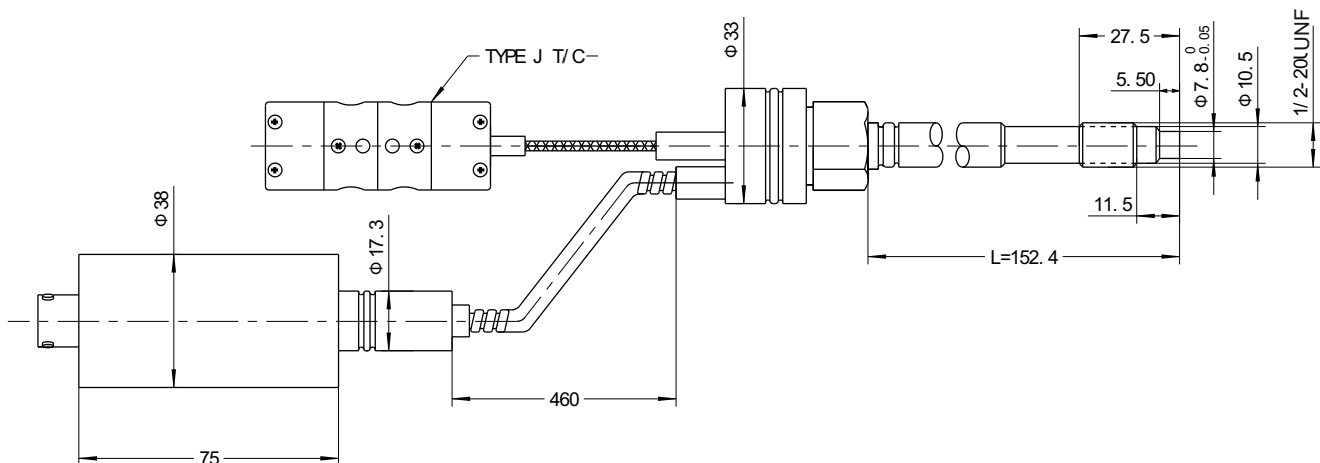
Special Feature

- 1 year warranty
- Available in configurations that fit most extruder applications
- Stainless steel Seal
- Simple Installation
- Completely interchangeable similar import products
- Internal 80% calibration
- Excellent stability

Application

- Chemical fiber & spinning Equipment
- Plastic and rubber, polyester process equipment
- Other pressure measurement and Control

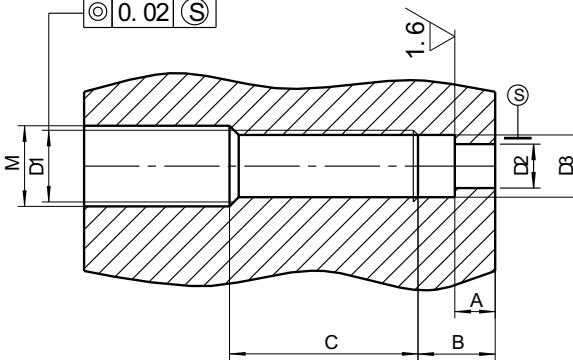
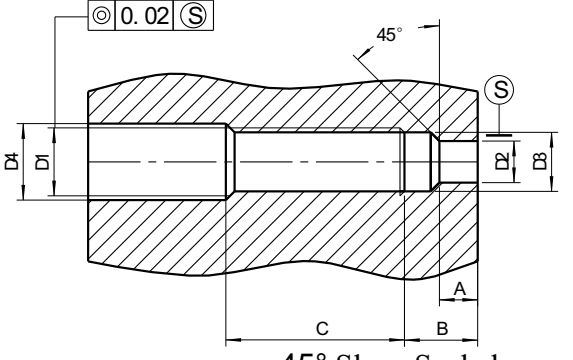
Dimension



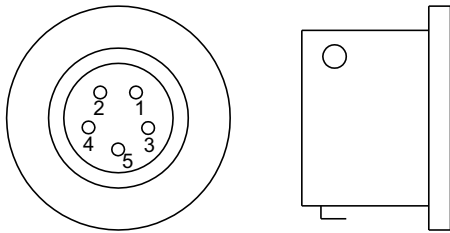
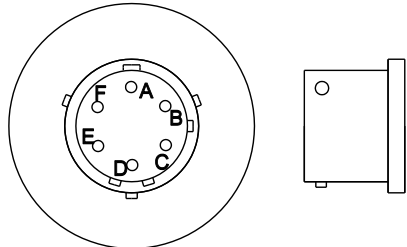
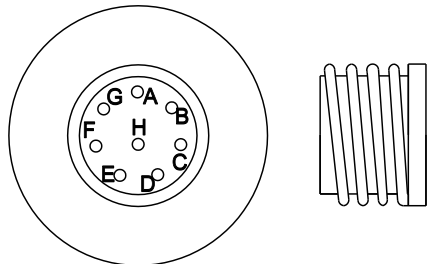
Specification

| | |
|------------------------|---|
| Range: | 0....10MPa to 0....150MPa (0...1500psi to 0...20000psi) |
| Output: | 2mV/V- 3.33mV/V-0...10VDC-4...20mA |
| Accuracy: | ±0.5%FS |
| Input voltage: | 10 (6~12V) DC |
| Repeatability: | ±0.2% |
| Bridge resistance: | 350 ohms±10% |
| Overload pressure: | 1.5×FSO |
| Internal calibration: | 80%±1% |
| Insulation Resistance: | 1000Megohms @50Vdc |
| Max. Diaphragm Temp: | 0~400℃ |
| Thermocouple type: | J,K,E,PT100 Optional |
| Electric connector: | 5PIN, 6PIN |
| Process connector: | 1/2"-20UNF, M14×1.5, M18×1.5 (Customer design) |

Mounting Hole

| | | | | | |
|---|--|---------|---------|---------|-----------|
|  <p>Planar Sealed</p> | D1 | M22×1.5 | M28×1.5 | G3/4" | PT3/8" |
| | D2 | Φ16.1 | Φ18.3 | Φ18.3 | Φ10.3 |
| | D3 | Φ20.1 | Φ26.1 | Φ24.2 | Φ14.9 |
| | M | Φ23 | Φ30 | Φ21 | Φ11 |
| | A | 11 | 12 | 12 | 14 |
| | B | 12 | 15 | 15 | 19 |
| | C | 40 | 35 | 35 | 40 |
| |  <p>45° Slope Sealed</p> | D1 | M12×1.5 | M14×1.5 | 1/2-20UNF |
| D2 | | Φ8 | Φ8 | Φ8 | Φ10.1 |
| D3 | | Φ10.8 | Φ12.5 | Φ11.5 | Φ16.1 |
| D4 | | Φ12.5 | Φ14.5 | Φ13.1 | Φ20 |
| A | | 6 | 6 | 6 | 6.5 |
| B | | 9 | 9.5 | 9.5 | 10 |

Wiring diagram

| | | | | |
|---------------|-----------------|---------------|-------------|--|
| Output | Function | Color | 5PIN |  |
| 0/5V; 1-5V; | Signal + | Blue | 1 | |
| 0/10V | Excitation + | Red | 2 | |
| 0/0.5V | Signal - | White | 3 | |
| 2.0mV/V | Excitation - | Yellow | 4 | |
| | Calibration | Black | 5 | |
| Output | Function | Color | 5PIN | |
| 4/20mA | Signal+ | Blue | 1 | |
| | Excitation+ | Red | 2 | |
| | Calibration | Yellow | 4 | |
| | Calibration | Black | 5 | |
| Output | Function | Color | 6PIN |  |
| 0-5V; 1-5V; | Signal + | Blue | A | |
| 0-10V; | Signal - | Green | B | |
| 0/0.5V | Excitation + | Red | C | |
| 3.33mV/V | Excitation - | Yellow | D | |
| | Calibration | Brown | E | |
| | Calibration | Black | F | |
| Output | Function | Color | 6PIN | |
| 4-20mA | E+ / S+ | Red | A | |
| | E- / S- | Blue | B | |
| | Calibration | Yellow | E | |
| | Calibration | Black | F | |
| Output | Function | Color | 8PIN |  |
| 0-5V; 1-5V; | Excitation + | Red | A | |
| 0-10V; | Signal + | Blue | B | |
| 0/0.5V | Excitation - | Yellow | C | |
| 3.33mV/V | Signal - | Green / White | D | |
| | Calibration | Brown | E | |
| | Calibration | Black | F | |
| | Blank | -- | G, H | |
| Output | Function | Color | 8PIN | |
| 4-20mA | E+ / S+ | Red | A | |
| | E+ / S+ | Blue | B | |
| | Calibration | Yellow | E | |
| | Calibration | Black | F | |

Ordering Information

| MDCT5 | Code | Dimension | | | |
|-------|------|---|----------------------|------------------|-------------|
| | 5 | 5PIN | | | |
| | 6 | 6PIN | | | |
| | 8 | 8PIN | | | |
| | | Pressure range · 0 . . . 35bar . . . 1500 BAR | | | |
| | | (0-X)PSI or BAR | X: measurement range | | |
| | | | Code | Power supply | |
| | | | D1 | 24VDC | |
| | | | D2 | 6 . . . 12VDC | |
| | | | D3 | Others | |
| | | | Code | Output signal | |
| | | | S1 | 4~20mADC | S5 0~20mADC |
| | | | S2 | 1~5VDC | S6 0~10VDC |
| | | | S3 | 0~5VDC | S7 2mV/V |
| | | | S4 | 0~10mADC | S8 3.33mV/V |
| | | | Code | Pressure port | |
| | | | J1 | M12*1.5 | |
| | | | J2 | M14*1.5 | |
| | | | J3 | 1/2-20UNF | |
| | | | J4 | M18*1.5 | |
| | | | J5 | M22*1.5 | |
| | | | J6 | M28*1.5 | |
| | | | J7 | G3/4" | |
| | | | J8 | NPT3/8 | |
| | | | J9 | other connection | |



Address: 7191 Yonge street, Toronto, Canada

Tel: +16472221281(5 line)

Web: www.madecotech.com

Email: Info@madecotech.com