

Universal Input Indicator-Controller Model MDIN5

- 5 Digital Display : 14mm high, red LED
- 16 - 128 measurements per second
- RTD, T/C, mA & voltage inputs
- Up to 4 alarm outputs
- Current Re-Transmission
- Fully programmable parameters



Description

The MDIN5 series of universal input indicators. The MDIN5 series can be directly connected to most popular process sensors including Thermocouple (Types K, T, J, N, R and S), RTD, 20mA loop Transmitters and DC signals up to 100mV and 10V. Temperature can be displayed in °C or °F to 0.1 degree resolution. Millivolt, 10 Volt and 20mA DC signals can be scaled to engineering units using any portion of the -1999 to 99999 display range (with an adjustable decimal point position). The MDIN5 can provide up to 3 relay outputs and a linearised 4-20mA output.

Specifications

Accuracy	Better than 0.1% of span
Temperature Drift	≤0.015% of the span per 1 °C
Cold Junction Comp.	Automatic
Display	5-digit, 14mm, 9Segments
Display Range	-1999to +99999
decimal Point Place	Programmable
Power Supply	100...240 VAC 24 VDC/VAC
Power Consumption	5VA maximum
Current Re-Trans.	0 - 20 / 4 - 20 mA
Aux. Power Supply	24VDC nominal @ 30 mA
Alarm Outputs	Up to 2 sPDT (N.O. /N. C.) 2A @ 250 VAC
Isolation	Input / Output / Supply 2300 V
Operating condition	-10...+60 °C; 0 to 90% RH
Case Material	Nylon - Black
Dimensions	96 * 48 * 80 * mm(W *H *D)
Mounting	In panel; Cutout 92* 45 mm
Weight	Approximately 350 g

Sensor	Sensor
T/C "K" & "N"	0 to 1300 °C
T/C "S" & "R"	0 to 1700 °C
T/C "E"	0 to 1000 °C
T/C "J"	0 to 1200 °C
RTD (Pt 100)	-200 to 800°C
RTD (Cu50)	-50 to 150°C
LINEAR INPUT	-1999 to 99999

Universal Input (Model U)

mA Input	4...20mA, ±20mA, ±10mA
RTD Input	Pt100, Ni120, custom
T/C Input	K, J, T, R, S, E, N, L
mV Input	±100mV
Voltage Accuracy	±0.04% f.s., others see "P" & "T" types
Input Impedance (volt)	1M Ω
Excitation Current	1mA for D3000U model
Linearity	Linear, X ^{1/2} , X ^{3/2} , X ^{5/2} , custom

Process Input (Model V)

Voltage Ranges	0...1V; 1...5V and 0...10V
Accuracy	±0.05% f.s.
Thermal Drift	0.1 μV/°C
Zero Span	100 ppm/°C
Current Ranges	0...20, 4...20 and 0...10mA
Accuracy	±0.05% f.s.
Excitation	24V ± 5% @ 50mA
Input Impedance	47 Ω (current) 1M Ω (voltage)

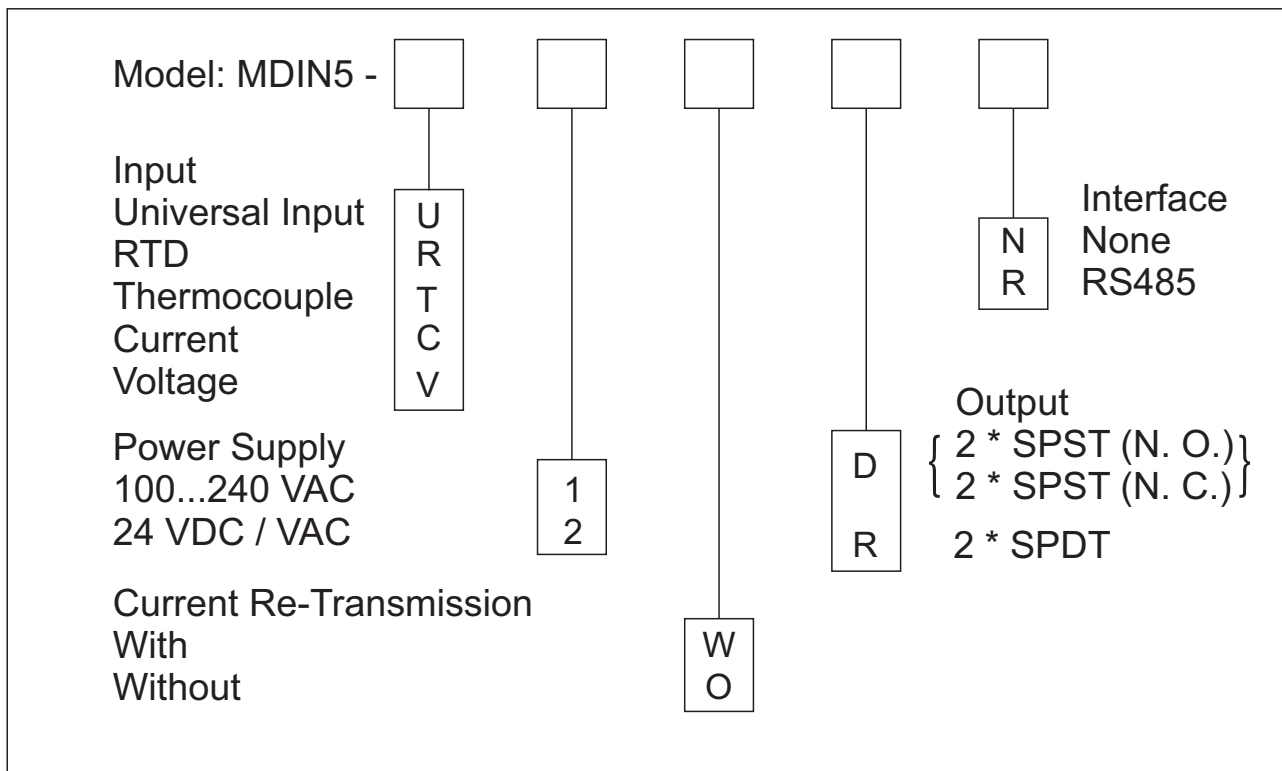
RTD (Pt-100) Input (Model P)

Sensor Range	-200...850°C
Accuracy	±0.1°C ± 0.05% R _{dg}
Thermal Drift	0.008°C/°C
Zero Span	100 ppm/°C
Excitation Current	300 μA to 550 μA
Max. Lead Resistance	50 Ω/leg
Lead Resist. Effect	0.002°C/Ω

Thermocouple Input (Model T)

Thermocouple Types	K, J, T, R, S, E, N, F, L
Accuracy	±0.04% f.s. ± 0.04% R _{dg} or 0.5 (whichever is greater)
Cold Junction Error	±0.5°C
Cold Junction Range	-10...+60°C
Thermal Drift	0.1 μV/°C
Zero Span	100 ppm/°C

ORDER CODE





Address: 7191 Yonge street, Toronto, Canada

Tel: +16472221281(5 line)

Web: www.madecotech.com

Email: Info@madecotech.com