

Over Pressure Protector

Model: MDO1

Applications

- Designed to protect pressure instruments from over pressure exceeding the specified pressure range by sudden & excessive pressure fluctuation from surge or spike.
- This device blocks the higher pressure exceeding the allowed value, until it comes back to normal, when system pressure becomes normal.
- Hence this device safeguards the pressure instruments, gauge, switches or transmitters by blocking extra high pressure
- Process industry: Chemical/petro chemical, power stations, food and beverage, offshore oil rigs, pulp and paper, environmental technology, machine building and general plant construction



Special features

- Nominal pressure up to 400 bar
- 7 different selectable setting ranges
- Over pressure up to 600 bar
- Bellow type & piston type models

Description

- | | |
|-----------------------------------|---|
| ■ Body material | Brass, Stainless steel 316L
Hastelloy, Monel, Tantalum(option) |
| ■ Process connection | ¼ NPT, ½ NPT, BSP, metric, PT, PF, Flaired
UNF, can be provided on request |
| ■ Overload Protector type | Bellow type, piston type |
| ■ Adjustable Range | 200mbar to 400 bar |
| ■ 'O' ring | Viton, (FPM) |
| ■ Maximum working pressure | 600 bar |
| ■ Operating Temperature | -40 °C to 120°C |

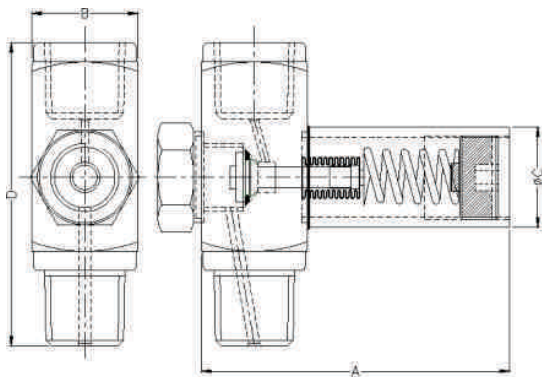
Setting the closing pressure

If the adjustment screw is turned clockwise, the spring force of the helical spring increases and, with it, the closing pressure. By turning the adjustment screw anti-clockwise, the closing pressure is reached at lower pressure values.

Function:

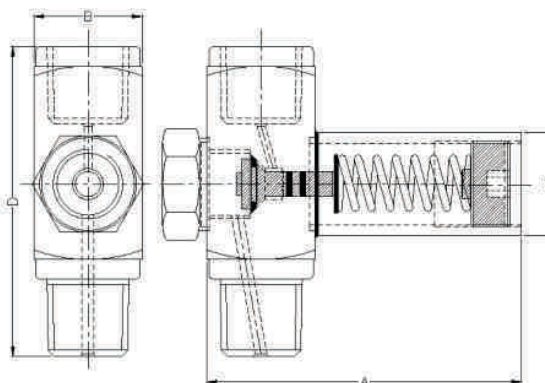
By reaching the adjusted pressure, the valve closes automatically and blocks the flow to the pressure instrument. After decrease of pressure by about 25 % below the closing pressure, the valve opens again.

Type : B



A	B	ØC	D	Weight in gram (With Box)
73	28 Sq.	24	75 ±2	470.0

Type : P



A	B	ØC	D	Weight in gram (With Box)
73	28 Sq.	24	75 ±2	460.0

Notes : • Drawings are not to scale. • All Dimensions are in mm.

MDO1 Over Pressure Protector

ORDERING CODE	Example:	MDO1	2	S	4N	WA	Note
Adjustable Range							
1 - B type (200mbar to 1.5 bar)							
2 - B type (1 to 4 bar)			2				
3 - P type (6 to 16 bar)							
4 - P type (10 to 40 bar)							
5 - P type (30 to 80 bar)							
6 - P type (60 to 160 bar)							
7 - P type (100 to 400 bar)							
Body material							
B - Brass							
S - 316L Stainless steel				S			
M - Monel® 400							
H - Hastelloy							
C - Customer							
Process Connection Sizes							
2B - 1/4" BSP (M×F)							
2N - 1/4" NPT (M×F)							
3B - 3/8" BSP (M×F)							
3N - 3/8" NPT (M×F)							
4B - 1/2" BSP (M×F)							
4N - 1/2" NPT (M×F)					4N		
10 - Customer							
Option							
MT - Material test certificate							
TN - Version per NACE standard							
OT - Helium leak test							
OC - Calibration test certificate							
OS - Cleaning for Oxygen service							
NH - Stainless steel tag wired to case							
WA - One year warranty						WA	
Other							



Address: 7191 Yonge street, Toronto, Canada

Tel: +16472221281(5 line)

Web: www.madecotech.com

Email: Info@madecotech.com