











INDEX

PRODUCT	MODEL	DIAMETER	MATERIAL	LIQUID	WATER	AIR	STEAM	GAS	HOT WATER	OIL	SOUR ALKALI	PAGE
	MDRT-8 Series Panel (piping) type Flowmeter	DN8	Lucite (Acrylic)	●	●	●		●	●			3
	MDRT-8 Series Panel Type Flowmeter	DN9	Lucite (Acrylic)	●	●	●		●	●			4
	MDRT-10 Series Panel Type Flowmeter	DN10	Lucite (Acrylic)	●	●	●		●	●			5
	MDRT-25 Series Panel Type Flowmeter	DN25	Lucite (Acrylic)	●	●	●		●	●			6
	MDRT-40 Series Panel Type Flowmeter	DN25	Lucite (Acrylic)	●	●	●		●	●			7
	MDRT-10 Series Piping Type Flowmeter	DN10	Lucite (Acrylic)	●	●	●		●	●			8
	MDRT-25 Series Piping Type Flowmeter	DN25	Lucite (Acrylic)	●	●	●		●	●			9
	MDRT-40 Series Piping Type Flowmeter	DN40	Lucite (Acrylic)	●	●	●		●	●			10
	MDRT-50 Series Piping Type Flowmeter	DN50	Lucite (Acrylic)	●	●	●		●	●			11
	MDRT-S Series Piping Type Flowmeter	DN15 ~ DN65	Lucite	●	●	●		●	●		●	12

● Panel(Piping) Type Flowmeter

MADECO Instrumentation

Panel(Piping) Type flowmeter is also called the variable-area (or float) flowmeter. The material of measuring tube is made of High-quality and transparent lucite (cast acrylic) . This flowmeter is mainly applied to form a complete set in clean water treatment and environmental protection projects. It also can be used in chemical industry, petroleum, light industry, medicine, fertilizer, food, papermaking and scientific research, etc., to measure the single-phase non- pulsing flow of liquid and gas.

Panel(Piping) type flowmeter has the characteristics of high transparency, reading ocular, in rare cases to be broken, light weight, long-life, convenient for installation ect. .

Technical Parameters

Normal flowrate range (flow water)	GPM	0.1~1	0.2~2	1~5	1~10	2~16	2~20	4~40	6~60	10~100	50~150
	LPM	0.5~4	1~7	2~18	5~35	4~60	10~70	15~150	25~250	50~350	190~550
Accuracy	±4%FS										
Repeatability	±0.25%FS										
Rangeability	10:1	10:1	5:1(10:1)	10:1	8:1	10:1	10:1	10:1	10:1	10:1	10:1
Maximum pressure	1MPa/150psig										
Maximum temperature	80°C/176° F										
Body material	PMMA(Lucite)										
Float material	316L(Stainless steel)										
Guide rod material	316L(Stainless steel)										
Fastening screw material	H62(Copper)										
Tube connection material	UPVC (Nonpoisonous),(Can be made of stainless steel or copper chromium)										
Upper and lower adapter bearing	F46										
O Shape sealing ring	Silicon rubber										

Panel (Piping) Type Flowmeter

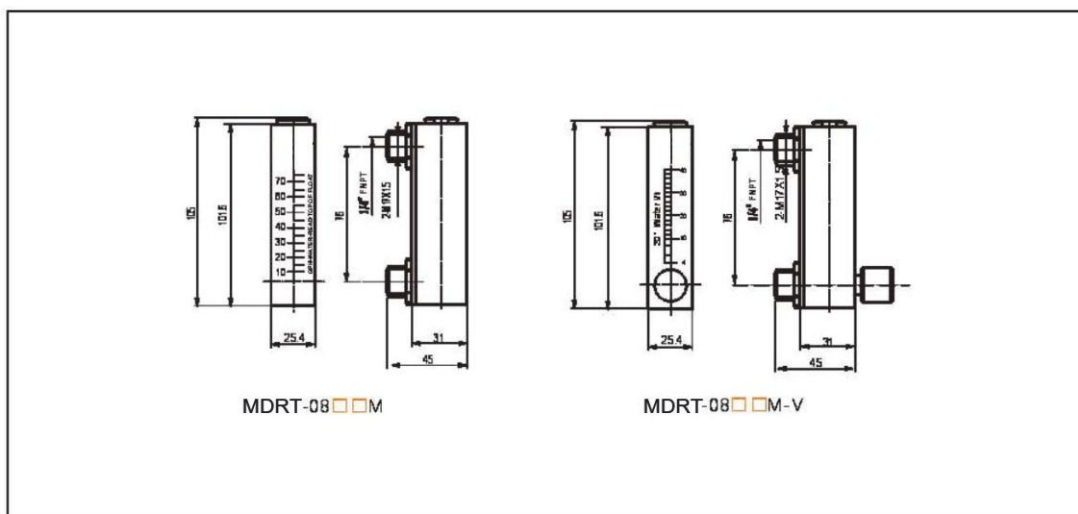
MADECO Instrumentation



MDRT-8 Series Panel (Piping) type

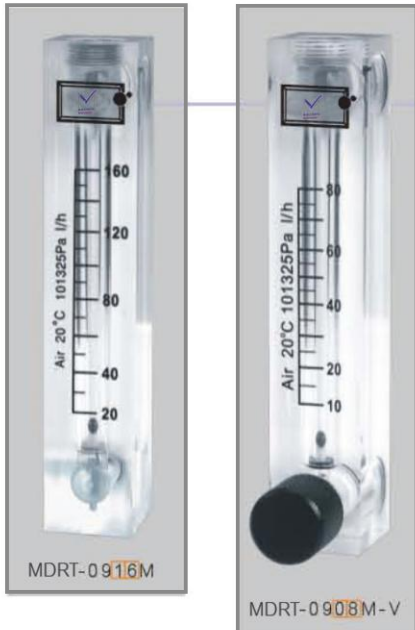
Model	Measuring range	Medium	Remarks
MDRT-0802M	2-20l/h	Water	Without valve
MDRT-0804M	4-40l/h		
MDRT-0806M	6-60l/h		
MDRT-0810M	10-100l/h		
MDRT-0807M	10-70GPH		
MDRT-0802M-V	2-20l/h	Water	With valve
MDRT-0804M-V	4-40l/h		
MDRT-0806M-V	6-60l/h		
MDRT-0810M-V	10-100l/h		
MDRT-0807M-V	10-70GPH		
MDRT-08A01M-V	1~10SCFH/0.5~5LPM	Air	With valve
MDRT-08A02M-V	2~20SCFH/1~10LPM		
MDRT-08A04M-V	4~40SCFH/2~20LPM		
MDRT-08A08M-V	8~80SCFH/4~40LPM		
MDRT-08A10M-V	10~100SCFH/5~50LPM		
MDRT-08A20M-V	20~200SCFH/10~100LPM		

Dimensions mm



● **Panel (Piping)
Type Flowmeter**

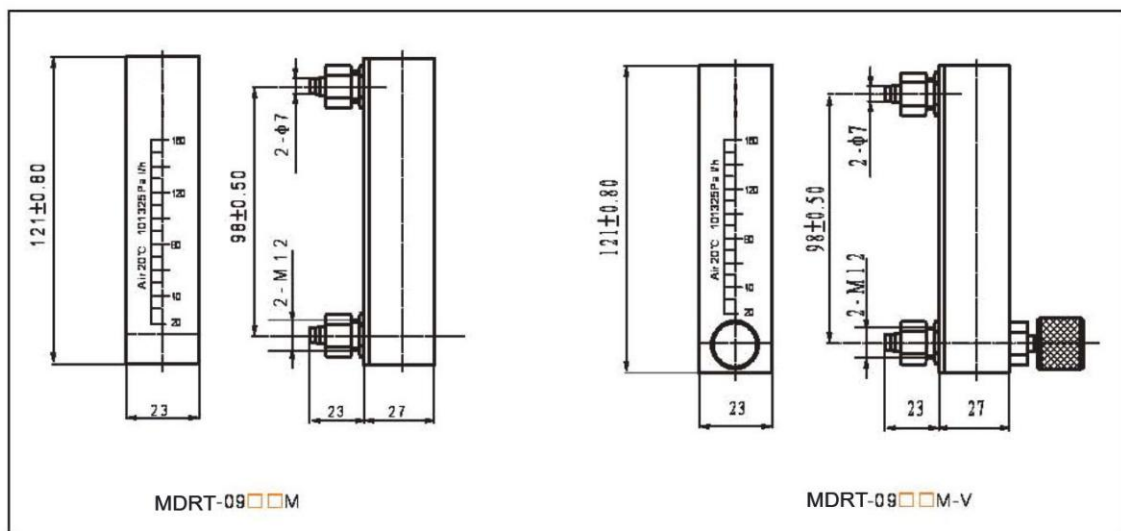
MADECO Instrumentation



MDRT-9
Series
Panel type

Model	Measuring range	Medium	Remarks
MDRT-0908M	10~80 l/h	Air	Without valve
MDRT-0916M	20~160 l/h		
MDRT-0930M	30~300 l/h		
MDRT-0980M	80~800 l/h		
MDRT-0908M-V	10~80 l/h		With valve
MDRT-0916M-V	20~160 l/h		
MDRT-0930M-V	30~300 l/h		
MDRT-0980M-V	80~800 l/h		

Dimensions mm



● Panel (Piping)
Type Flowmeter

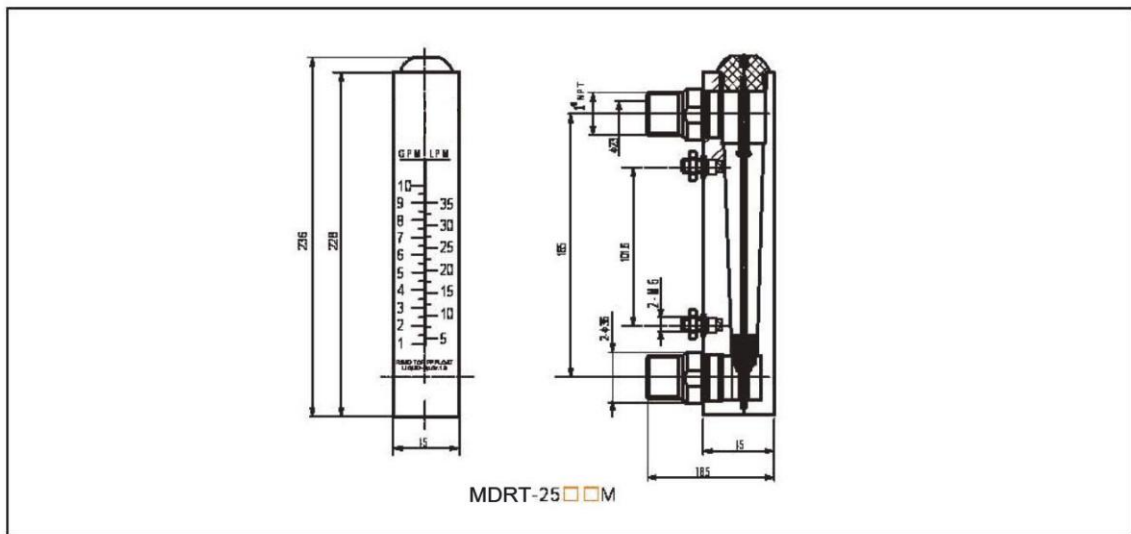
MADECO Instrumentation



MDRT-25
Series
Panel type

Model	Measuring range	Medium	Remarks
MDRT-2510M	1~10 GPM/5~35LPM	Water	Without Valve
MDRT-2516M	2~16 GPM/4~60LPM		
MDRT-2520M	2~20 GPM/10~70LPM		
MDRT-25A40M	4~40 SCFM/7~70m ³ /h	Air	
MDRT-25A60M	6~60 SCFM/10~100m ³ /h		

Dimensions mm



● Panel (Piping)
Type Flowmeter

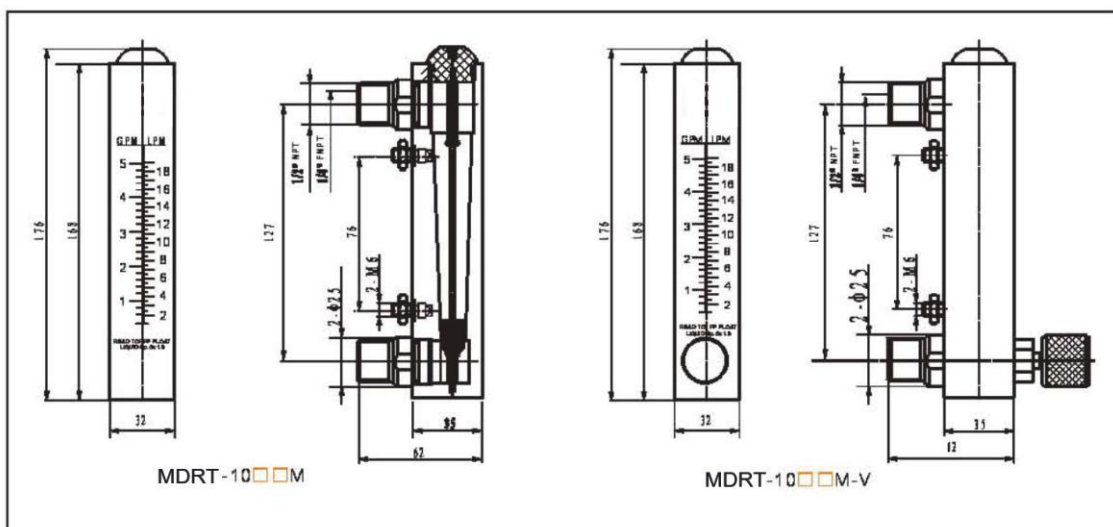
MADECO Instrumentation



MDRT-10
Series
Panel type

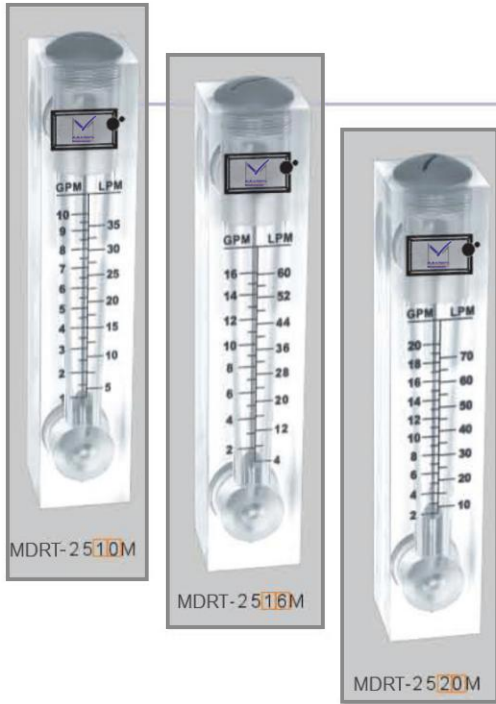
Model	Measuring range	Medium	Remarks
MDRT-1001M	0.1~1GPM/0.5~4LPM	Water	Without Valve
MDRT-1002M	0.2~2GPM/1~7LPM		
MDRT-1005M	0.5~5GPM/2~18LPM		
MDRT-1001M-V	0.1~1GPM/0.5~4LPM		With Valve
MDRT-1002M-V	0.2~2GPM/1~7LPM		
MDRT-1005M-V	0.5~5GPM/2~18LPM		
MDRT-10A04M	0.4~4SCFM/12~120LPM	Air	Without Valve
MDRT-10A08M	0.8~8SCFM/24~240LPM		
MDRT-10A16M	1.6~16SCFM/48~480LPM		
MDRT-10A24M	2.4~24SCFM/72~720LPM		With Valve
MDRT-10A04M-V	0.4~4SCFM/12~120LPM		
MDRT-10A08M-V	0.8~8SCFM/24~240LPM		
MDRT-10A16M-V	1.6~16SCFM/48~480LPM		
MDRT-10A24M-V	2.4~24SCFM/72~720LPM		

Dimensions mm



● **Panel (Piping)
Type Flowmeter**

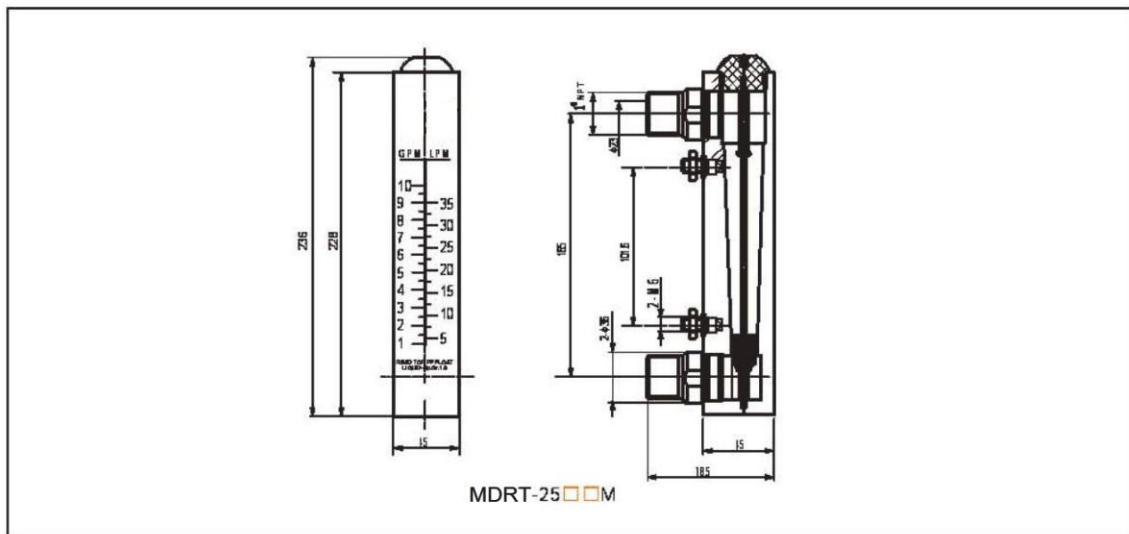
MADECO Instrumentation



MDRT-25
Series
Panel type

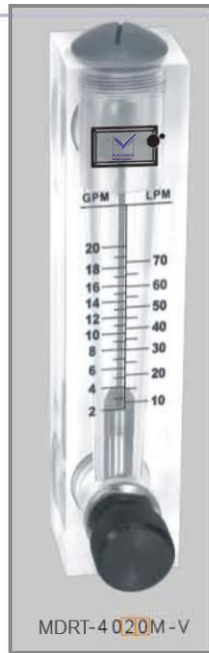
Model	Measuring range	Medium	Remarks
MDRT-2510M	1~10 GPM/5~35LPM	Water	Without Valve
MDRT-2516M	2~16 GPM/4~60LPM		
MDRT-2520M	2~20 GPM/10~70LPM		
MDRT-25A40M	4~40 SCFM/7~70m ³ /h	Air	
MDRT-25A60M	6~60 SCFM/10~100m ³ /h		

Dimensions mm



● **Panel (Piping)
Type Flowmeter**

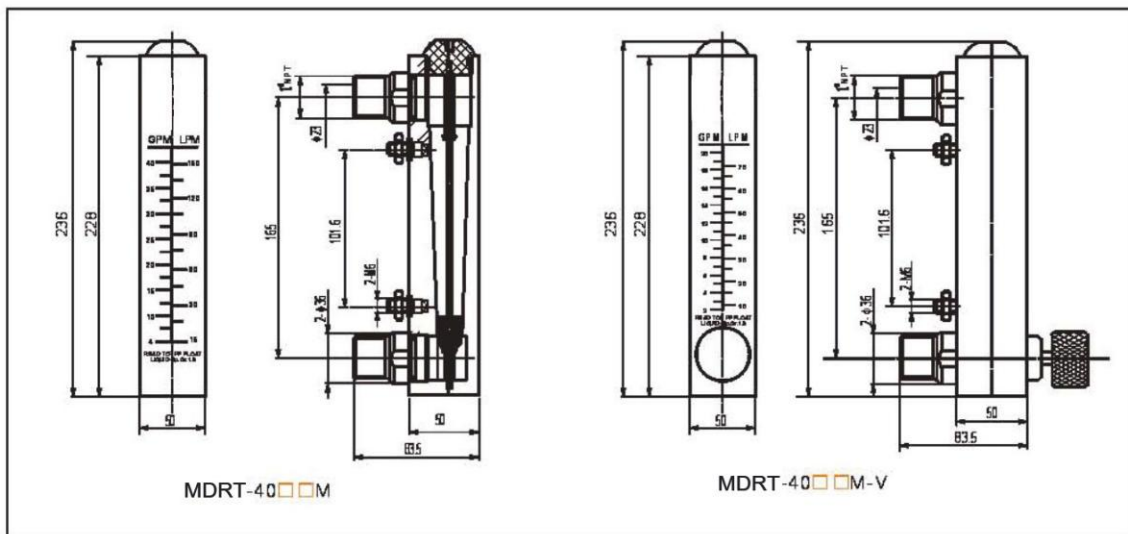
MADECO Instrumentation



MDRT-40
Series
Panel type

Model	Measuring range	Medium	Remarks
MDRT-4035M	4~35 GPM/12~120LPM	Water	Without Valve
MDRT-4040M	4~40 GPM/15~150LPM		
MDRT-4010M-V	1~10 GPM/5~35LPM		With Valve
MDRT-4016M-V	2~16 GPM/4~60LPM		
MDRT-4020M-V	2~20 GPM/10~70LPM		

Dimensions mm



**Panel (Piping)
Type Flowmeter**

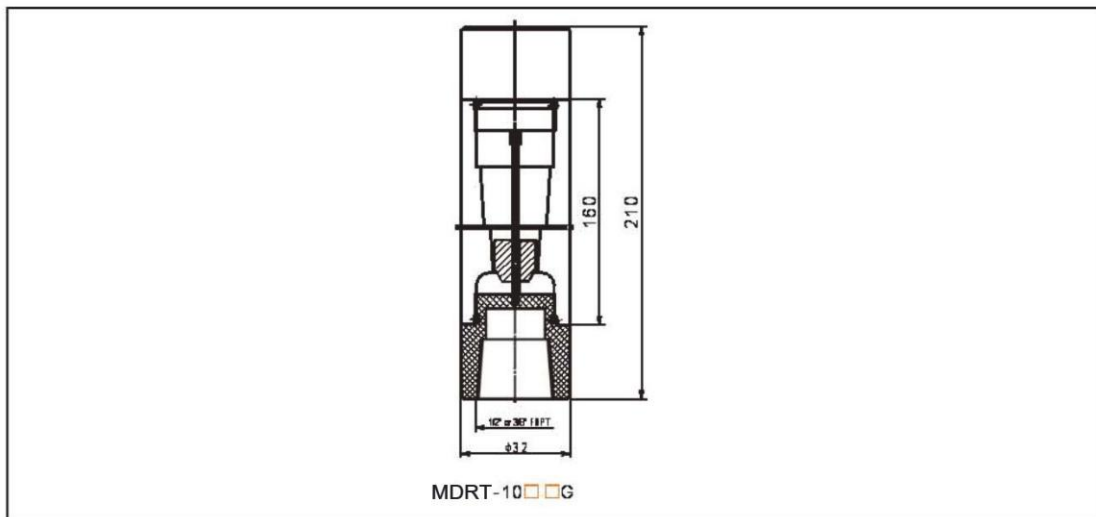
MADECO Instrumentation



MDRT-10
Series
Piping type

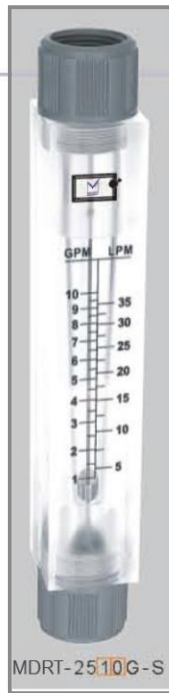
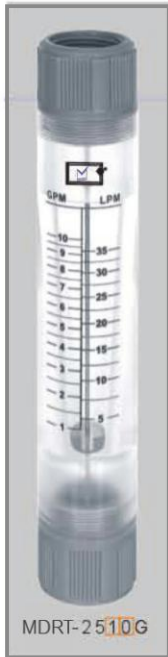
Model	Measuring range	Medium	Remarks
MDRT-1001G	0.1~1 GPM/0.5~4LPM	Water	Circular
MDRT-1002G	0.2~2 GPM/1~7LPM		
MDRT-1005G	0.5~5 GPM/2~18LPM		

Dimensions mm



**Panel (Piping)
Type Flowmeter**

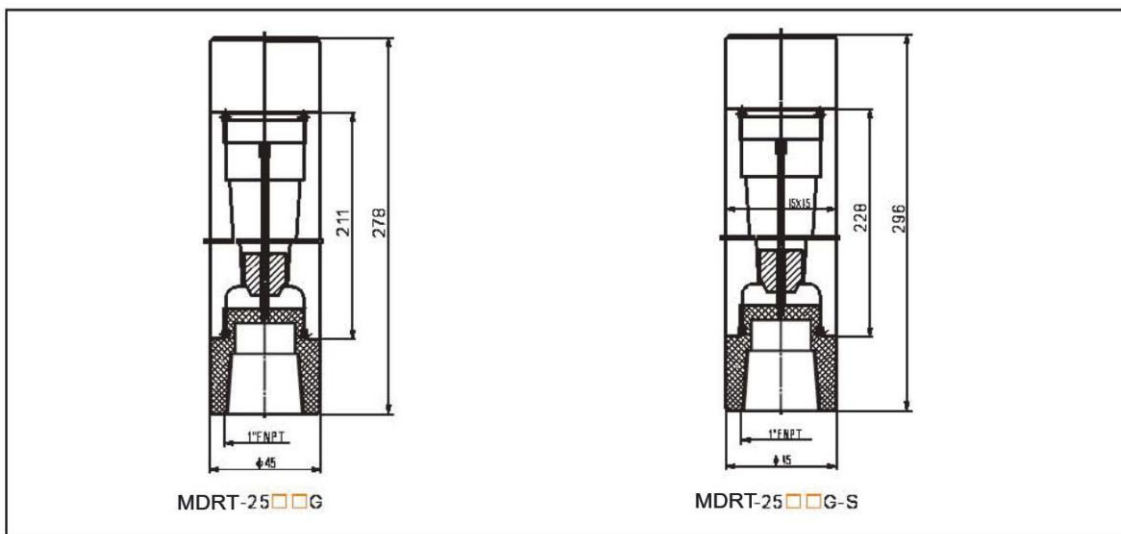
MADECO Instrumentation



MDRT-25
Series
Piping type

Model	Measuring range	Medium	Remarks
MDRT-2510G	1~10 GPM/5~35LPM	Water	Circular
MDRT-2516G	2~16 GPM/4~60LPM		
MDRT-2520G	2~20 GPM/10~70LPM		
MDRT-2510G-S	1~10 GPM/5~35LPM		Square
MDRT-2516G-S	2~16 GPM/4~60LPM		
MDRT-2520G-S	2~20 GPM/10~70LPM		

Dimensions mm



**Panel (Piping)
Type Flowmeter**

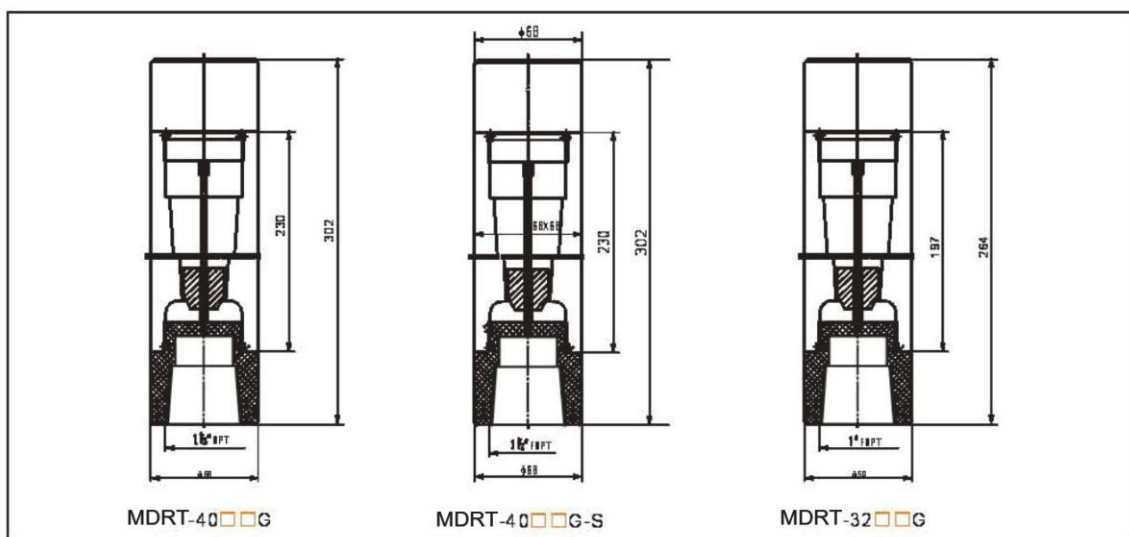
MADECO Instrumentation



MDRT-40
Series
Piping type

Model	Measuring range	Medium	Remarks
MDRT-4004G	4~40 GPM/15~150LPM	Water	Circular
MDRT-4006G	6~60 GPM/25~250LPM		
MDRT-4008G	8~80GPM/30~300LPM		
MDRT-4010G	10~100 GPM/50~350LPM		
MDRT-4004G-S	4~40 GPM/15~150LPM		Square
MDRT-4006G-S	6~60 GPM/25~250LPM		
MDRT-4008G-S	8~80GPM/30~300LPM		
MDRT-4010G-S	10~100 GPM/50~350LPM		
MDRT-3203G	3~30GPM/12~120LPM	Water	Circular
MDRT-3204G	4~40GPM/15~150LPM		

Dimensions mm



● **Panel (Piping)
Type Flowmeter**

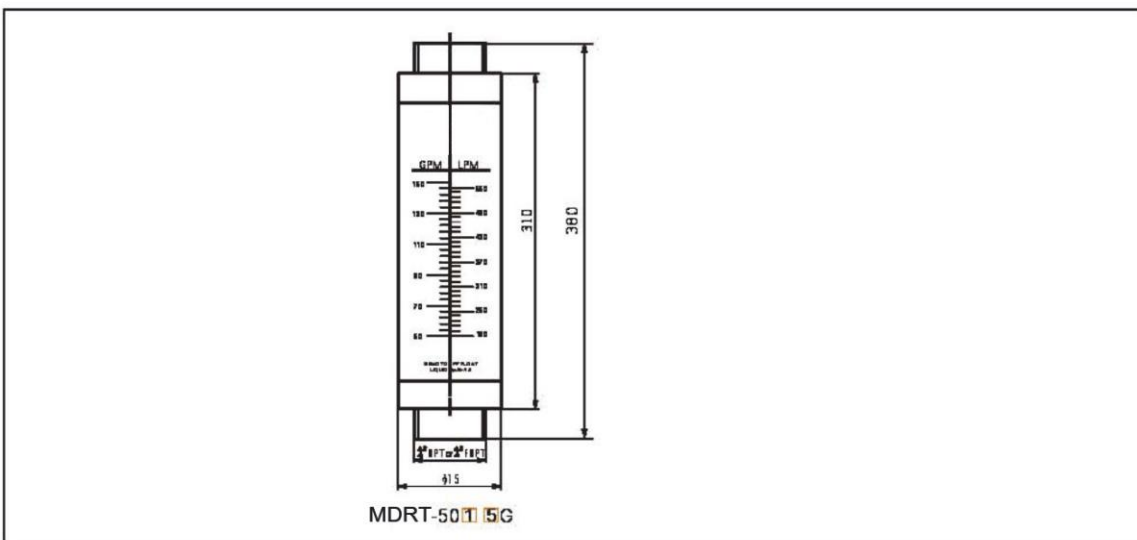
MADECO Instrumentation



MDRT-50
Series
Piping type

Model	Measuring range	Medium	Remarks
MDRT-5015G	50~150GPM/190~550LPM	Water	Circular
MDRT-5020G	50~200GPM/200~750LPM		

Dimensions mm



● **Panel (Piping)
Type Flowmeter**

MADECO Instrumentation



MDRT-S
Plastics tube
Flowmeter

Model	Measuring range	Medium	Remarks
MDRT-15S16	16~160l/h	Water	Without Guide rod
MDRT-15S25	25~250l/h		
MDRT-15S40	40~400l/h		
MDRT-15S60	60~600l/h		
MDRT-25S16	160~1600l/h		
MDRT-25S25	250~2500l/h		With Guide rod
MDRT-32S04	0.4~4m ³ /h		
MDRT-32S06	0.6~6m ³ /h		
MDRT-50S10	1~10m ³ /h		
MDRT-50S16	1.6~16m ³ /h		
MDRT-65S25	5~25m ³ /h		
MDRT-65S40	8~40m ³ /h		
MDRT-65S60	12~60m ³ /h		

Dimensions mm

1. Connection tube
2. Nut
3. O-ring
4. Bottom stop shaft
5. Floater
6. Cone tube
7. Scale
8. Top stop shaft

Caliber mm	Dimensions mm		
	L	B ₁	B ₂
15	280	φ20	φ45
25	380	φ32	φ68
32	288	φ40	φ74
50	341	φ63	φ98
65	430	φ75	φ122

Remarks: The material of upper and lower connection tube of this series flowmeter is ABS engineering plastic. (also can be made for different material or connection form according to the request of the customers)



Address: 7191 Yonge street, Toronto, Canada

Tel: +16472221281(5 line)

Web: www.madecotech.com

Email: Info@madecotech.com